

**Room motion sensor  
with switching output**

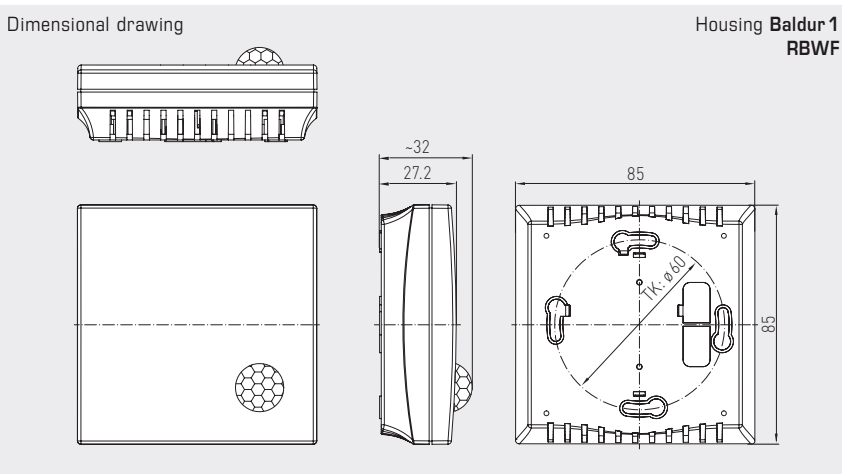
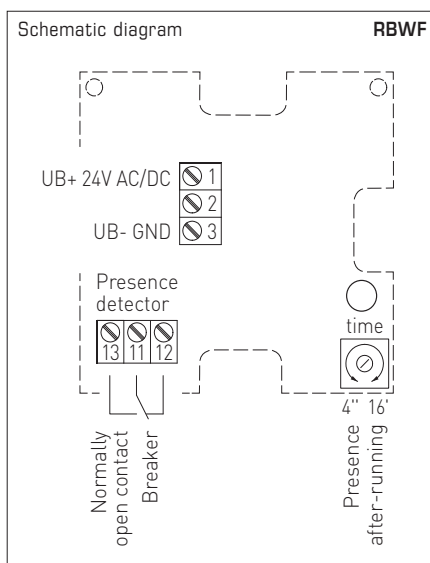
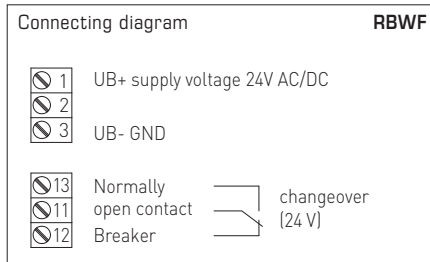
The motion sensor and presence detector **KINASGARD® RBWF** detects the presence of persons and motions and has a switching output (changeover contact). The sensor detects motions over an aperture angle of 110° and a perimeter of 360°. The patented lens system with 20 individual lenses results in only very small dark areas that are only a few centimetres wide even at a distance of 10m, thereby reliably detecting small movements. Elegant housing made of plastic with snap-on lid, base with 4-hole attachment for installation on vertically or horizontally installed in-wall flush boxes, with predetermined breaking point for on-wall cable entry in case of on-wall installation. The room motion sensor is used to monitor and recognise conditions and for the motion-dependent control of room functions, e.g. for lowering temperatures in unused rooms as a motion detector. This residential room motion detector is installed in corridors, in outdoor areas, in industrial halls, in offices, in residential rooms and business facilities.

**RBWF**



**TECHNICAL DATA**

Power supply:	24 V AC (±20%); 15...36 V DC
Power consumption:	< 1 W at 24 V DC; < 2 VA at 24 V AC
Sensor:	infra-red motion sensor
Detection range:	perimeter 360°, aperture angle 90° / 110°, reach approx. 10 m, circular
Motion detection:	of persons and objects, necessary temperature difference between subject and surroundings ≥ 5 K
Output:	without / with motion + presence, potential-free changeover contact (24 V), 1 A ohmic load
After-running time:	adjustable from 4 s to 16 min
Ambient temperature:	0...+50 °C
Electrical connection:	0.14 - 1.5 mm <sup>2</sup> , via terminal screws
Housing:	plastic, flame retardant (UL 94 V-0), PC/ABS material, colour white (similar to RAL 9016)
Dimensions:	85 x 85 x 27 mm (Baldur 1)
Mounting:	wall mounting or on in-wall flush box, Ø 55 mm, base with 4-hole for mounting on vertically or horizontally installed in-wall flush boxes for cable entry from the back, with predetermined breaking point for on-wall cable entry from top / bottom in case of plain on-wall installation
Protection class:	III (according to EN 60 730)
Protection type:	<b>IP 30</b> (according to EN 60 529)
Standards:	CE conformity according to EMC directive 2014 / 30 / EU



KINASGARD® RBWF Room motion sensor		Type / WG01	Detection	Output	Item No.	Price
<b>RBWF</b>			Presence + Motion	Presence + Motion		
RBWF-W	Yes / No (relay on / off)			Changeover contact	1401-41A0-4000-000	<b>116,59 €</b>