

**Pressure and differential pressure measuring transducers,
including connection set, adjustable, calibratable,
with multi-range switching and active output**

The calibratable pressure sensors **PREMASGARD® 711x** (series) with eight switchable measuring ranges (eight devices in one), housing made from impact-resistant plastic, optionally with/without display, with cable gland or M12 connector according to DIN EN 61076-2-101 and pressure connection nozzles (quick connect optional) are used to measure positive, negative or differential pressures in air. The piezoresistive measuring element is temperature-compensated and guarantees a high degree of reliability and accuracy.

Applications of these pressure sensors are in clean room, medical and filter technology, in ventilation and air conditioning ducts, in spray booths, in large-scale catering facilities, for filter monitoring and level measurement or for triggering frequency converters. Media measured with these pressure transducers are air (non-precipitating), or other gaseous, non-aggressive, non-combustible media.

The pressure sensor has a button for manual zero point calibration (automatic zero point calibration optional/standard for 25 Pa) and an offset potentiometer for final value correction. The sensor is factory-calibrated; an environmental precision adjustment by an expert is possible. The delivery includes the connection set **ASD-06** (2 m connection hose, two pressure port nipples, screws).

PREMASGARD® 711x
with cable gland



PREMASGARD® 711x-Q
with M12 connector



Pressure port
for pressure hose
(as standard)



TECHNICAL DATA

Power supply:	24 V AC ($\pm 10\%$) for U variant, 15...36 V DC for I variant, depending on working resistance, residual ripple stabilised $\pm 0.3V$
Working resistance:	$R_a(\text{Ohm}) = (U_b - 14 V) / 0.02 A$ for I variant, see working resistance diagram
Load resistance:	$R_L > 15 \text{ kOhm}$ for U variant
Power consumption:	$< 2 W / 24 V DC, < 4.4 VA / 24 V AC$
Measuring ranges:	multi-range switching with 8 switchable measuring ranges (see table)
Type of pressure:	differential pressure
Pressure connection:	with connection nozzle for pressure hose $\varnothing 6 \text{ mm}$, optionally with quick connect made from stainless steel for PVC fabric pressure hose $\varnothing 6 \text{ mm}$ (external diameter)
Medium:	clean air and non-aggressive, non-combustible gases
Media temperature:	$-20...+50 \text{ }^\circ\text{C}$ (temperature-compensated $0...+50 \text{ }^\circ\text{C}$)
Accuracy:	Type 7112 (25 Pa): typically $\pm 1 \text{ Pa}$ Type 7110 (100 Pa): typically $\pm 3 \text{ Pa}$ Type 7111 (1000 Pa): typically $\pm 10 \text{ Pa}$ Type 7115 (5000 Pa): typically $\pm 35 \text{ Pa}$ compared to the calibrated reference device
Sum of linearity+hysteresis:	$< \pm 1\%$ of final value $\pm 2\%$ of final value for pressure ranges $< \pm 250 \text{ Pa}$
Temp. drift values:	$\pm 0.1\% / ^\circ\text{C}$ $\pm 0.3\% / ^\circ\text{C}$ for pressure ranges $< 250 \text{ Pa}$
Zero point offset:	$< \pm 0.7\%$ of final value $\pm 1.4\%$ of final value for pressure ranges $< 250 \text{ Pa}$
Positive/negative pressure:	$\pm 50 \text{ kPa}$
Signal filtering:	switchable 1 s / 10 s (via DIP switches)
Output:	0 -10 V or 4...20 mA
Connection type:	2- or 3-wire connection
Electrical connection:	0.2 - 1.5 mm ² , via push-in terminals
Cable connection:	cable gland , plastic (M 16 x 1.5; with strain relief, exchangeable, max. inner diameter 10.4 mm) or M12 connector (male, 5-pin, A-code) according to DIN EN 61076-2-101
Housing:	plastic, UV-resistant, material polyamide, 30% glass-globe reinforced, with quick-locking screws (slotted/Phillips head combination), colour traffic white (similar to RAL 9016), cover for display is transparent!
Housing dimensions:	126 x 90 x 50 mm (Tyr 2)
Air humidity:	$< 95\% \text{ RH}$, non-precipitating air
Protection class:	III (according to EN 60 730)
Protection type:	IP 65 (according to EN 60 529) in the built-in state
Standards:	CE conformity according to EMC Directive 2014/30/EU
Equipment:	display with illumination , three-line, cutout approx. 70 x 40 mm (W x H), to display the ACTUAL pressure as well as the automatic zero point calibration
ACCESSORIES	see table

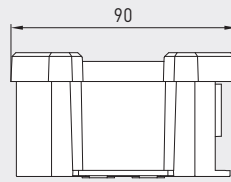
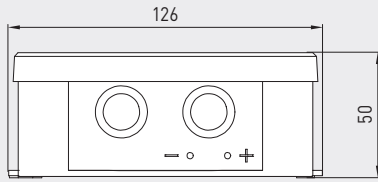


Pressure and differential pressure measuring transducers, including connection set, adjustable, calibratable, with multi-range switching and active output



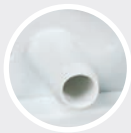
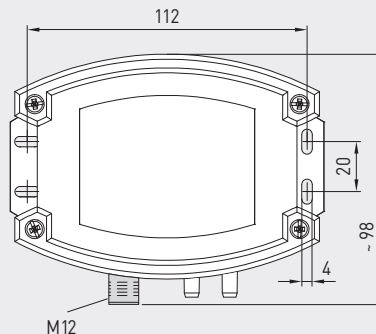
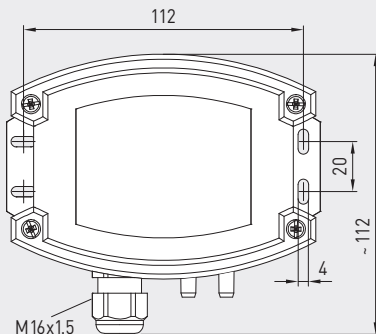
Dimensional drawing [mm]

PREMASGARD® 711x



Housing with cable gland equipped as standard with pressure port nozzles

Housing with M12 connector equipped as standard with pressure port nozzles



Pressure port for pressure hose (as standard)



M12 connector (male)

PREMASGARD® 711x with cable gland and display



PREMASGARD® 711x-Q with M12 connector and display

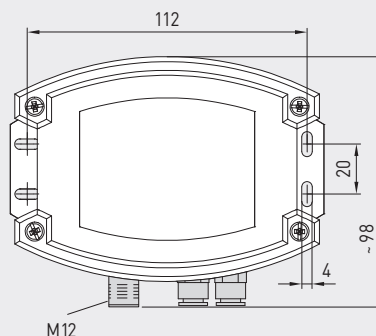
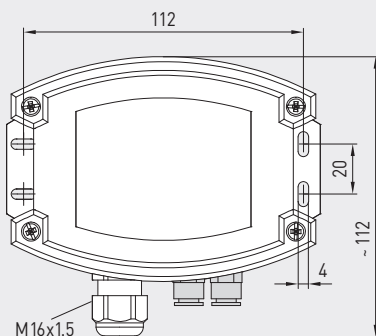


Dimensional drawing [mm]

PREMASGARD® 711x

Housing with cable gland optional on request with quick connect

Housing with M12 connector optional on request with quick connect



Pressure port for PVC/fabric pressure hose (optional)

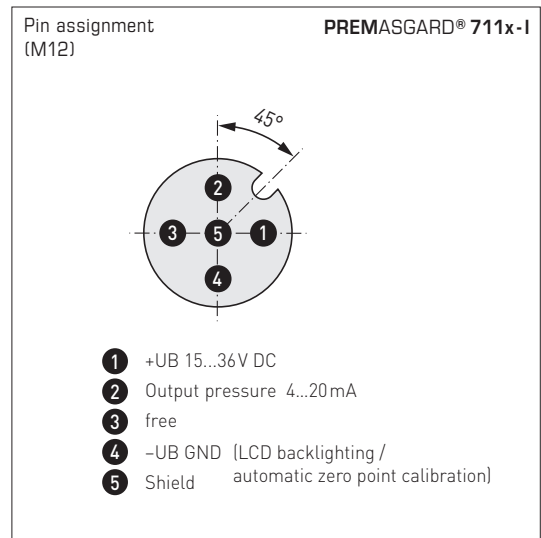
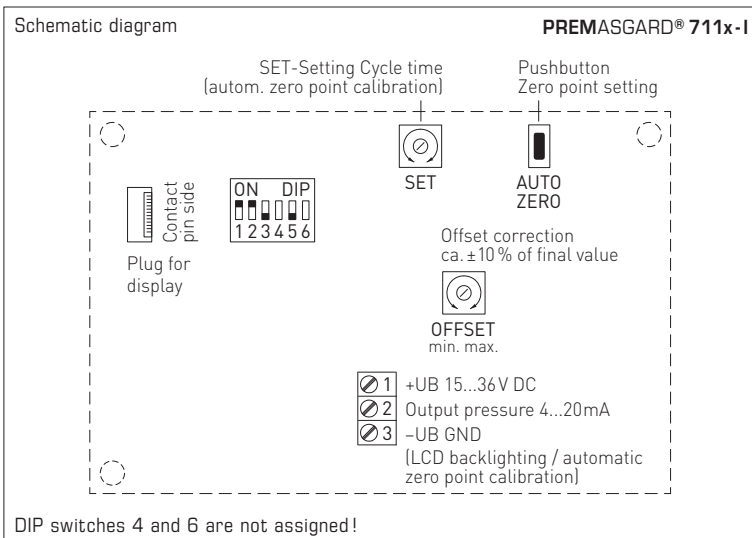
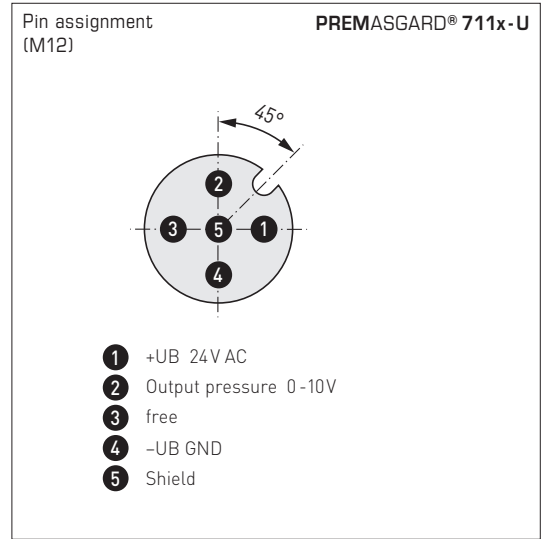
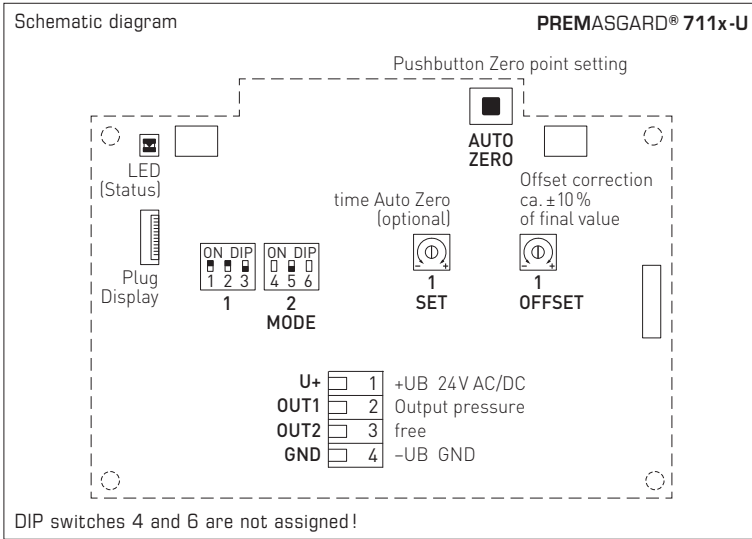


M12 connector (male)

Pressure port for PVC/fabric pressure hose (optional)



Pressure and differential pressure measuring transducers, including connection set, adjustable, calibratable, with multi-range switching and active output

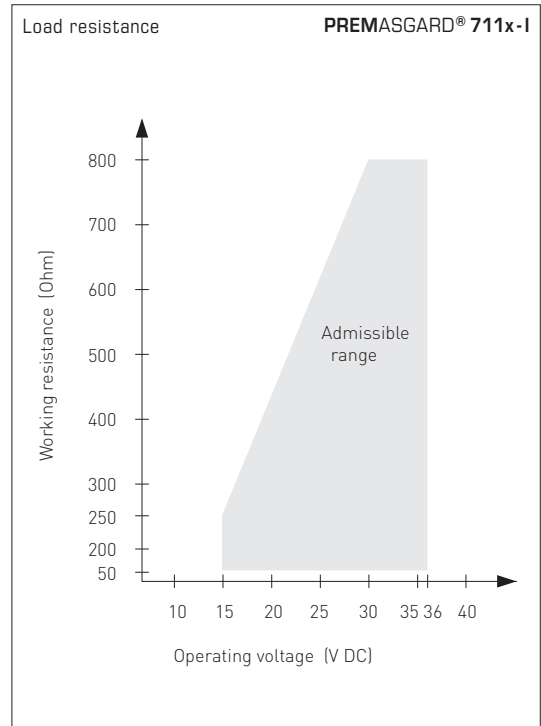


Display with option automatic zero point calibration

Standard
Actual pressure (in Pa)
Calibration interval (arrows)

Zero point calibration active
Remaining calibration time (in seconds)

Adjustment of zero point calibration
Cycle time (15 min to 24 hours) adjustable by potentiometer.





S+S REGELTECHNIK

PREMASGARD® 711x

Pressure and differential pressure measuring transducers, including connection set, adjustable, calibratable, with multi-range switching and active output

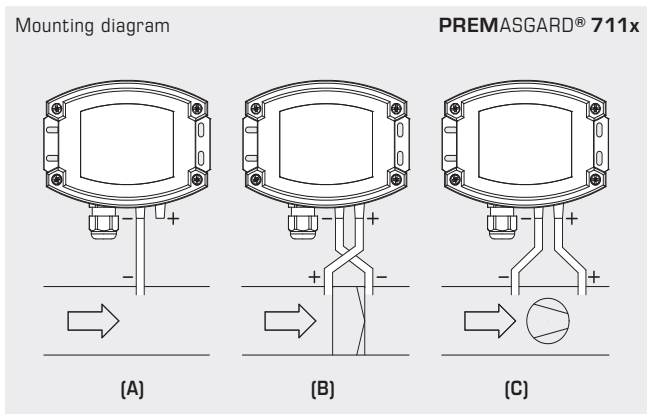
PREMASGARD® 711x-Q
with display,
hinged



Pressure range (selectable) – max. measuring range (default) is depending to the type of device								DIP 1	DIP 2
0...25 Pa	0...50 Pa	0...100 Pa	0...1000 Pa	-25...+25 Pa	-50...+50 Pa	-100...+100 Pa	-1000...+1000 Pa	OFF	OFF
-	-	0...300 Pa	0...2000 Pa	-	-	-300...+300 Pa	-2000...+2000 Pa	ON	OFF
-	-	0...500 Pa	0...3000 Pa	-	-	-500...+500 Pa	-3000...+3000 Pa	OFF	ON
0...25 Pa	0...100 Pa	0...1000 Pa	0...5000 Pa	-25...+25 Pa	-100...+100 Pa	-1000...+1000 Pa	-5000...+5000 Pa	ON	ON

Measuring range mode (Mode selectable)	DIP 3
Bidirectional (-MR...+MR)	ON
Unidirectional (0...+MR) (default)	OFF

Measurement signal filtering (Time interval selectable)	DIP 5
1 s	ON
10 s (default)	OFF



TYPES OF MONITORING:

(A) Below-atmospheric pressure:

P1 (+) is not connected
but open against atmosphere
P2 (-) connected to inside of duct

(B) Filter:

P1 (+) connected upstream of filter
P2 (-) connected downstream of filter

(C) Ventilator:

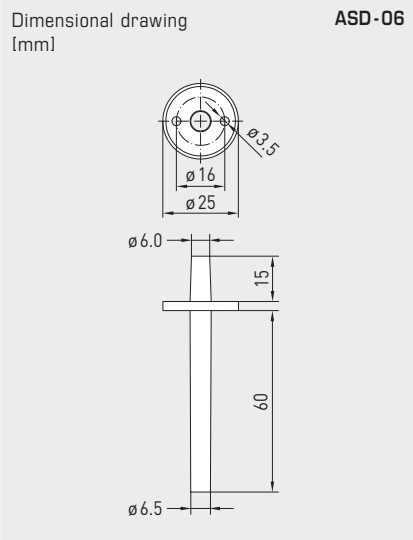
P1 (+) connected downstream of ventilator
P2 (-) connected upstream of ventilator

Pressure connections at the pressure switch are marked with P1 (+) for higher pressure and P2 (-) for lower pressure.

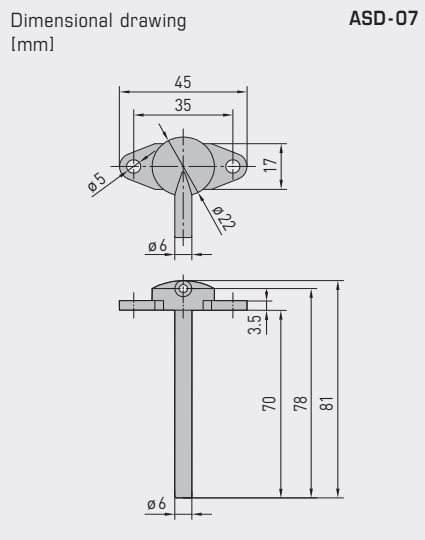
Conversion table for pressure values:

Unit =	bar	mbar	Pa	kPa	mWS
1 Pa	0,00001 bar	0,01 mbar	1 Pa	0,001 kPa	0,000101971 mWS
1 kPa	0,01 bar	10 mbar	1000 Pa	1 kPa	0,101971 mWS
1 bar	1 bar	1000 mbar	100000 Pa	100 kPa	10,1971 mWS
1 mbar	0,001 bar	1 mbar	100 Pa	0,1 kPa	0,0101971 mWS
1 mWS	0,0980665 bar	98,0665 mbar	9806,65 Pa	9,80665 kPa	1 mWS

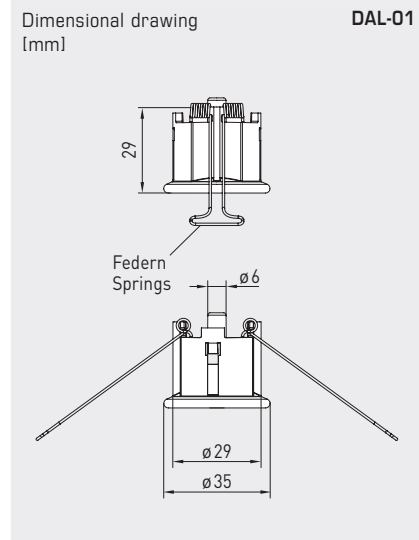
Pressure and differential pressure measuring transducers, including connection set, adjustable, calibratable, with multi-range switching and active output



ASD-06
Connection set



ASD-07
Connection nipple



DAL-01
Pressure outlet



WS-03
Weather and sun protection hood (optional)

Pressure port for pressure hose (as standard)



Pressure port for PVC/fabric pressure hose (optional)



ACCESSORIES

ASD-06	Connection set (included in the scope of delivery) , consisting of 2 connection nipples (straight) made of ABS, 2 m PVC hose (soft, UV-resistant) and 4 screws	7100-0060-3000-000	8,18 €
ASD-07	2 connection nipples (at 90 degree angle) made of plastic, ABS	7100-0060-7000-000	8,18 €
DAL-01	Pressure outlet for ceiling or in-wall installation (e.g. in clean rooms)	7300-0060-3000-001	38,31 €
WS-03	Weather and sun protection hood , 200 x 180 x 150 mm, stainless steel V2A (1.4301)	7100-0040-6000-000	47,92 €

For further information, see chapter Accessories!



S+S REGELTECHNIK

PREMASGARD® 711x

Pressure and differential pressure measuring transducers, including connection set, adjustable, calibratable, with multi-range switching and active output

PREMASGARD® 711x-Q
with M12 connector



PREMASGARD® 711x
with cable gland



PREMASGARD® 711x		Pressure and differential pressure measuring transducers, <i>Deluxe</i>				
Pressure range (adjustable)	Type / WG02	Output	Display ● = Q	Item No.	Price	
max. - 1000...+ 1000 Pa		Type 7111				
0... 100 Pa / - 100... + 100 Pa	PREMASGARD 7111-U	0-10V		1301-7111-0010-200	180,06 €	
0... 300 Pa / - 300... + 300 Pa	PREMASGARD 7111-U LCD	0-10V	■	1301-7111-4010-200	252,61 €	
0... 500 Pa / - 500... + 500 Pa	PREMASGARD 7111-I	4...20mA		1301-7112-0010-100	180,06 €	
0... 1000 Pa / -1000... + 1000 Pa	PREMASGARD 7111-I LCD	4...20mA	■	1301-7112-4010-100	252,61 €	
	PREMASGARD 7111-U Q	0-10V	●	2004-6131-1100-001	224,97 €	
	PREMASGARD 7111-U Q LCD	0-10V	● ■	2004-6132-1100-001	297,51 €	
	PREMASGARD 7111-I Q	4...20mA	●	2004-6131-2100-001	224,97 €	
	PREMASGARD 7111-I Q LCD	4...20mA	● ■	2004-6132-2100-001	297,51 €	
max. - 5000...+ 5000 Pa		Type 7115				
0... 1000 Pa / - 1000... + 1000 Pa	PREMASGARD 7115-U	0-10V		1301-7111-0050-200	180,06 €	
0... 2000 Pa / - 2000... + 2000 Pa	PREMASGARD 7115-U LCD	0-10V	■	1301-7111-4050-200	252,61 €	
0... 3000 Pa / - 3000... + 3000 Pa	PREMASGARD 7115-I	4...20mA		1301-7112-0050-100	180,06 €	
0... 5000 Pa / - 5000... + 5000 Pa	PREMASGARD 7115-I LCD	4...20mA	■	1301-7112-4050-100	252,61 €	
	PREMASGARD 7115-U Q	0-10V	●	2004-6131-1100-011	224,97 €	
	PREMASGARD 7115-U Q LCD	0-10V	● ■	2004-6132-1100-021	297,51 €	
	PREMASGARD 7115-I Q	4...20mA	●	2004-6131-2100-011	224,97 €	
	PREMASGARD 7115-I Q LCD	4...20mA	● ■	2004-6132-2100-011	297,51 €	
max. - 100...+ 100 Pa		Type 7110				
0... +50 Pa / -50... +50 Pa	PREMASGARD 7110-U	0-10V		1301-7111-0110-200	226,70 €	
0...+100 Pa / -100...+100 Pa	PREMASGARD 7110-U LCD	0-10V	■	1301-7111-4110-200	291,47 €	
	PREMASGARD 7110-I	4...20mA		1301-7112-0110-100	226,70 €	
	PREMASGARD 7110-I LCD	4...20mA	■	1301-7112-4110-100	291,47 €	
	PREMASGARD 7110-U Q	0-10V	●	2004-6131-1100-021	271,61 €	
	PREMASGARD 7110-U Q LCD	0-10V	● ■	2004-6132-1100-031	336,37 €	
	PREMASGARD 7110-I Q	4...20mA	●	2004-6131-2100-021	271,61 €	
	PREMASGARD 7110-I Q LCD	4...20mA	● ■	2004-6132-2100-021	336,37 €	
max. - 25...+ 25 Pa		Type 7112				
0... +25 Pa / -25... +25 Pa	PREMASGARD 7112-U	0-10V		1301-7111-0370-200	290,17 €	
	PREMASGARD 7112-U LCD	0-10V	■	1301-7111-4370-200	343,55 €	
	PREMASGARD 7112-I	4...20mA		1301-7112-0370-200	290,17 €	
	PREMASGARD 7112-I LCD	4...20mA	■	1301-7112-4370-200	343,55 €	
	PREMASGARD 7112-U Q	0-10V	●	2004-6131-1100-031	335,09 €	
	PREMASGARD 7112-U Q LCD	0-10V	● ■	2004-6132-1100-011	388,46 €	
	PREMASGARD 7112-I Q	4...20mA	●	2004-6131-3100-001	335,09 €	
	PREMASGARD 7112-I Q LCD	4...20mA	● ■	2004-6132-3100-011	388,46 €	
Housing variant "Q":	Cable connection with M12 connector (male, 5-pin , A-code)					
Multi-range switching:	The pressure ranges depend on the device type and can be set via DIP switches.					
Extra charge:	Other special measuring ranges up to max. 5000 Pa with optional automatic zero point calibration with optional quick connect for PVC fabric pressure hose Ø 6 mm					
				53,37 €	77,73 €	44,93 €