

Display module for pressure transmitter SHD / SHD-SD / SHD 692
with DIN EN 175301-803-A connector, configurable, rotatable and tiltable,
with active output

The display module **LCD-SHD** has been specially designed for the pressure transmitter **PREMASGARD® SHD / SHD-SD / SHD 692** with active output (0-10V / 4...20 mA) and connector DIN EN 175301-803-A. The display can be mechanically rotated and tilted, and the display content can be rotated in increments of 90° to achieve the ideal reading position. In addition to the actual pressure, it can display the min/max measured values or alternatively the output signal of the sensor.

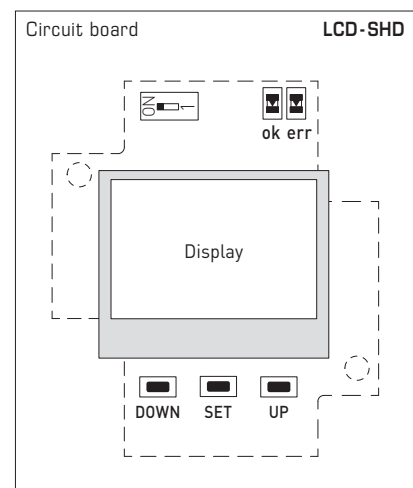
The configured display unit transmits the standard signals from the pressure measuring transducer unchanged and uses them to calculate the pressure in the selected unit for the display. The following parameters can be set: Measuring range of the sensor, physical unit (bar / kPa / psi / inWC / mWC / atm), interval of the min/max values (1h / 6h / 12h / 24h / ∞), number of values for averaging, display mode, direction of the display content, contrast and backlight (for U variant). The unit is configured using micro button switches on the circuit board inside the housing.

SHD-xx-LCD
 Pressure transmitter with display module
 (Fig. shows type SHD-SD-LCD)



TECHNICAL DATA

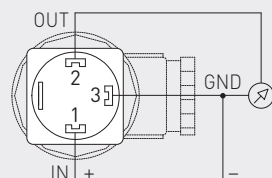
Power supply:	24 V AC/DC (± 5%) (for U variant) UB _{min} = UB pressure sensor + 6 V DC (for I variant)
Load resistance:	R _L > 100 kOhm (for U variant)
Power consumption:	< 0.85 W (for U variant) < 0.15 W (for I variant)
Input:	0-10 V or 4...20 mA
Output:	0-10 V or 4...20 mA Standard signals from the sensor are forwarded. Indication values on the display are calculated.
Connection type:	3-wire connection (for U variant) or 2-wire connection (for I variant)
Measuring range:	sensor-dependent, measuring range and output unit are configured via the menu
Accuracy:	typically < 0.2 % final value
Temperature dependence:	typically < 0.01 % final value/K
Pressure type:	relative pressure, differential pressure
System of units:	SI and imperial
Display content:	pressure [bar] [kPa] [psi] [inWC] [mWC] [atm], voltage [V] or current [mA]
LCD display:	with backlight (for U variant), cut-out approx. 28 x 16 mm (W x H), configurable, to display the actual pressure, min/max pressure or output signal of the sensor
Display housing:	plastic, flame retardant (UL 94 V-0), material PC/ABS, colour black (similar to RAL 9004), housing cover for display is transparent, with quick-locking screws (slotted/Phillips head combination), rotatable and tiltable, dimensions: approx. 72 x 64 x 43.3 mm
Adapter housing:	plastic, flame retardant (UL 94 V-0), material PC/ABS, colour black (similar to RAL 9004), dimensions: approx. 102 mm, Ø 40 mm
Electrical connection:	via connector DIN EN 175301-803-A
Installation:	simple plug-in assembly, fastened via screw extension (included in the scope of delivery)
Ambient temperature:	storage -20...+75 °C; operation 0...+60 °C
Protection class:	III (according to EN 60730)
Protection type:	IP 65 (according to EN 60529)
Standards:	CE conformity according to EMC Directive 2014/30/EU
Compatibility:	pressure measuring transducer type SHD / SHD-SD / SHD 692, other manufacturers on request



Connecting diagram display module

LCD-SHD-U

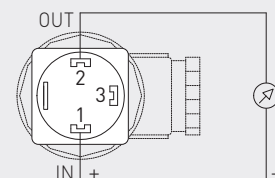
- 2 Output pressure 0-10V
- 3 GND
- 1 Supply voltage UB+ 24V AC/DC (± 5%)



Connecting diagram display module

LCD-SHD-I

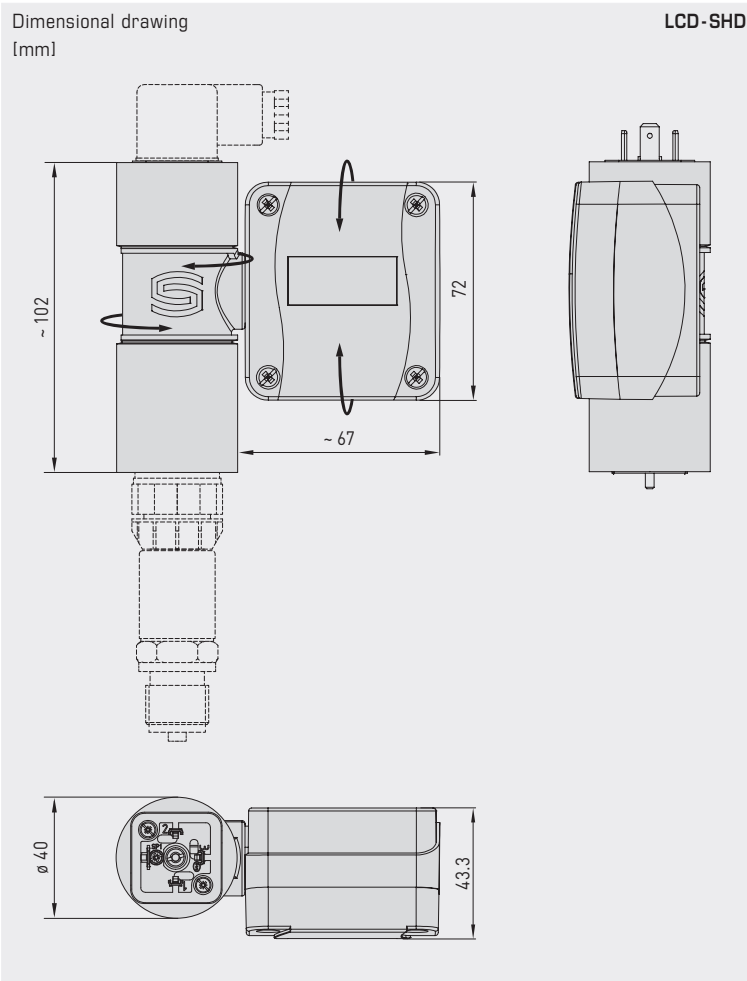
- 2 Output pressure 4...20mA
- 3 Free
- 1 Supply voltage UB_{min} = sensor + 5V DC





NEW

Display module for pressure transmitter SHD / SHD-SD / SHD 692 with DIN EN 175301-803-A connector, configurable, rotatable and tiltable, with active output



LCD-SHD
Display module with connector
DIN EN 175301-803-A



PREMASGARD® LCD - SHD						
Display module for pressure transmitter with connector DIN EN 175301-803-A, with active output						
Type / WG02	Compatibility with unit type	Input	Output	Display	Item no. (without SHD)	Price
LCD-SHD-I					I variant	
LCD-SHD-I	SHD-I SHD-SD-I SHD-692-I	4...20 mA	4...20 mA	■	1301-5112-5000-100	202,80 €
LCD-SHD-U					U variant	
LCD-SHD-U	SHD-U SHD-SD-U SHD-692-U	0-10V	0-10V	■	1301-5111-5000-200	202,80 €
LCD-SHD-Modbus					Modbus variant	
LCD-SHD-Modbus	SHD-U SHD-SD-U SHD-692-U	0-10V	Modbus RTU	■	1301-5114-5000-200	234,00 €
Note	This This device version converts the standard 0 -10 V signal into a Modbus signal. For technical data and further information, see chapter 'Modbus'! Backlight for U variant (3-wire connection) can be optionally configured. Compatibility with pressure transmitters from other manufacturers possible upon request.					