

Display module for pressure transmitter SHD / SHD-SD / SHD 692  
with DIN EN 175301-803-A connector, configurable, rotatable and tiltable,  
for active output (0-10V) to Modbus (RTU)

The display module **LCD-SHD-Modbus** has been specially designed for the pressure transmitter **PREMASGARD® SHD / SHD-SD / SHD 692** and DIN EN 175301-803-A connector. The display can be mechanically rotated and tilted, and the display content can be rotated in increments of 90° to achieve the ideal reading position. In addition to the actual pressure, it can display the min/max measured values or alternatively the output signal of the sensor.

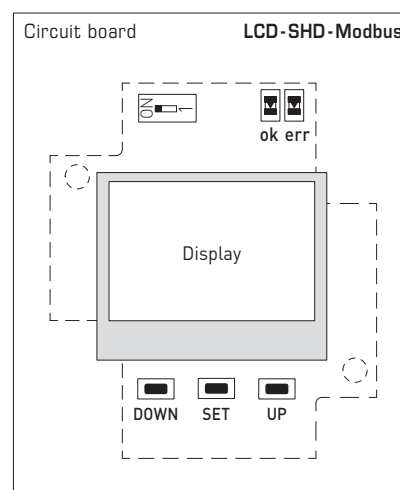
The configured display unit converts the standard signal (0-10V) of the pressure measuring transducer into a Modbus signal (RTU) and calculates the pressure in the selected unit for the display indicator. The following parameters can be set: Measuring range of the sensor, physical unit (bar / kPa / psi / inWC / mWC / atm), interval of the min/max values (1h / 6h / 12h / 24h / ∞), number of values for averaging, display mode, direction of the display content, contrast and backlight. The unit is configured using micro button switches on the circuit board inside the housing.

**SHD-Modbus-xx-LCD**  
Pressure transmitter  
with display module



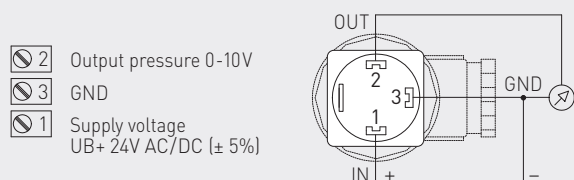
**TECHNICAL DATA**

Power supply:	24V AC/DC (± 5%)
Power consumption:	< 1 W
Input:	<b>0-10V</b> , 3-wire connection
Output:	<b>Modbus</b> (RTU cable), 4-wire connection Standard signals of the sensor are converted, Display values are calculated.
Bus interface:	RS 485, galvanically isolated, bus termination can be activated via DIP switch. Up to 32 units possible on one segment, RS 485 transceivers must be used for larger numbers.
Baudrate:	2400, 9600 (default), 19200, 38400 baud
Bus protocol:	Modbus (RTU mode), address range 1... 247 adjustable
Signal filtering:	1 - 10 s
Measuring range:	sensor-dependent The measuring range and output unit are configured via the menu.
Accuracy:	typically < 0.2% final value
Temperature dependence:	typically < 0.01% final value/K
Pressure type:	<b>relative pressure, differential pressure</b>
System of units:	<b>SI and imperial</b>
Display content:	pressure [bar] [kPa] [psi] [inWC] [mWC] [atm], voltage [V] or current [mA]
LCD display:	with backlight, cut-out approx. 28 x 16 mm (W x H), configurable, to display the actual pressure, min/max pressure or output signal of the sensor
Display housing:	plastic, flame retarding (UL 94 V-0), PC/ABS material, black colour (similar to RAL 9004), housing cover for display is transparent, with quick-locking screws (slotted/Phillips head combination), rotatable and tiltable, dimensions: approx. 72 x 64 x 43.3 mm
Adapter housing:	plastic, flame retarding (UL 94 V-0), PC/ABS material, black colour (similar to RAL 9004), dimensions: approx. 102 mm, Ø 40 mm
Electrical connection:	via connector DIN EN 175301-803-A
Installation:	simple plug-in assembly, fastened via screw extension (included in the scope of delivery)
Ambient temperature:	storage -20...+75 °C; operation 0...+60 °C
Protection class:	III (according to EN 60 730)
Protection type:	IP 65 (according to EN 60 529)
Standards:	CE conformity according to EMC Directive 2014 / 30 / EU
Compatibility:	pressure measuring transducer type SHD / SHD-SD / SHD 692 (U variant), other manufacturers on request



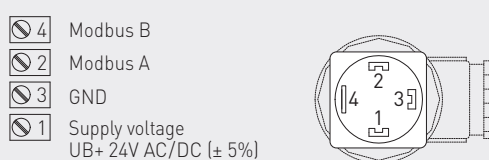
Pressure transmitter connection diagram

SHDxx-U



Display module connection diagram

LCD-SHD-Modbus



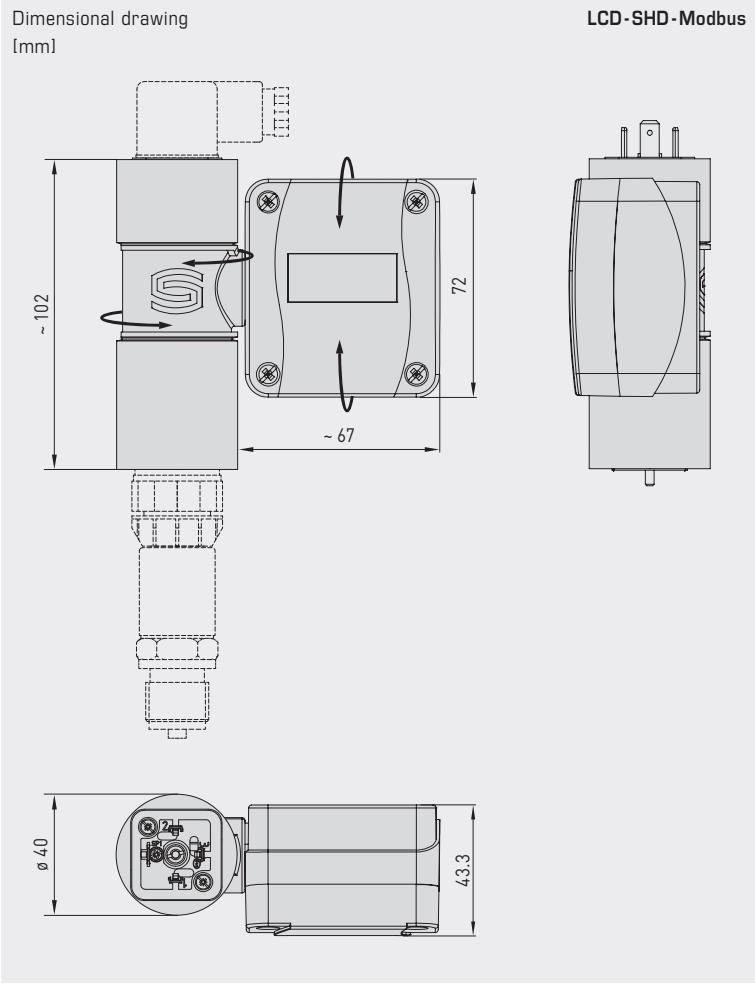


**NEW**

S+S REGELTECHNIK

PREMASGARD® LCD-SHD-Modbus

Display module for pressure transmitter SHD / SHD-SD / SHD 692  
with DIN EN 175301-803-A connector, configurable, rotatable and tiltable,  
for active output (0-10 V) to Modbus (RTU)



**LCD-SHD-Modbus**  
Display module with connector  
DIN EN 175301-803-A



**PREMASGARD® LCD-SHD-Modbus** Display module for active pressure transmitters with DIN EN 175301-803-A connectors, for active output (0-10 V) to Modbus (RTU)

Type / WG02	Compatibility with unit type	Input	Output	Display	Item no. (without SHD)	Price
<b>LCD-SHD-Modbus</b>					Modbus variant	
LCD-SHD-Modbus	SHD-U SHD-SD-U SHD-692-U	0-10V	Modbus RTU	■	1301-5114-5000-200	202,80 €

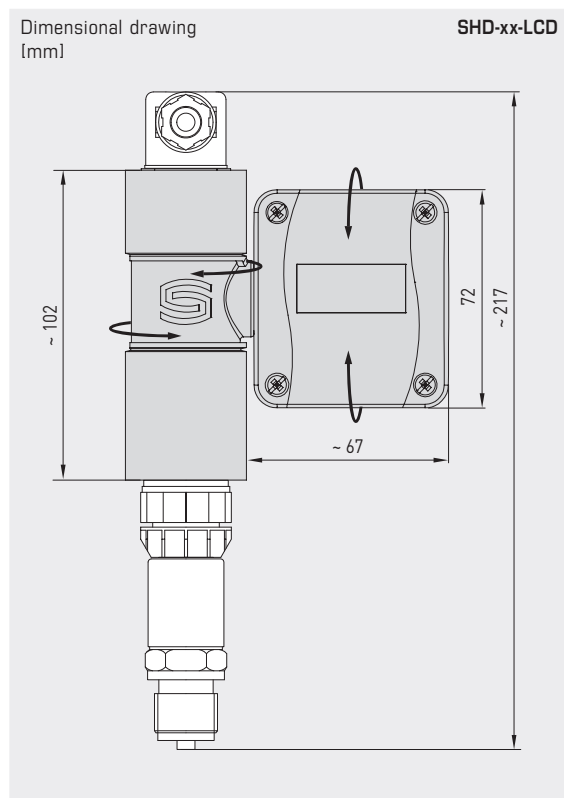
The display module converts the standard 0-10 V signal into a Modbus signal. Additional device version with active output available (see chapter 'Pressure')!

**Note** Backlight for U variant (3-wire connection) can be optionally configured. Compatibility with pressure transmitters from other manufacturers possible upon request.



Pressure measuring transducer, incl. DIN connector,  
with display module for active output (0-10 V) to Modbus (RTU)

SHD-xx-LCD  
Pressure transmitter  
with display module



PREMASGARD® SHD-Modbus		Pressure measuring transducer for gaseous and liquid media, for active output (0-10 V) to Modbus (RTU)			
Measuring range	Type / WG01	Output	Display	Item no. (SHD+Display)	Price
	<b>SHD-SD-Modbus</b>			Modbus variant	
0... 6 bar	SHD-SD-Modbus 6 LCD	Modbus RTU	■	1301-2224-5550-221	373,10 €
0... 10 bar	SHD-SD-Modbus 10 LCD	Modbus RTU	■	1301-2224-5560-221	373,10 €
0... 16 bar	SHD-SD-Modbus 16 LCD	Modbus RTU	■	1301-2224-5570-221	373,10 €
	<b>SHD-Modbus</b>			Modbus variant	
0... 1 bar	SHD-Modbus 1 LCD	Modbus RTU	■	1301-2214-5520-221	463,78 €
0... 2,5 bar	SHD-Modbus 2,5 LCD	Modbus RTU	■	1301-2214-5530-221	463,78 €
0... 6 bar	SHD-Modbus 6 LCD	Modbus RTU	■	1301-2214-5550-221	400,37 €
0... 10 bar	SHD-Modbus 10 LCD	Modbus RTU	■	1301-2214-5560-221	400,37 €
0... 16 bar	SHD-Modbus 16 LCD	Modbus RTU	■	1301-2214-5570-221	400,37 €
0... 25 bar	SHD-Modbus 25 LCD	Modbus RTU	■	1301-2214-5580-221	463,78 €
0... 40 bar	SHD-Modbus 40 LCD	Modbus RTU	■	1301-2214-5590-221	463,78 €
The display module converts the standard 0-10 V signal into a Modbus signal. The SHD-U device version is supplied with an LCD-SHD-Modbus display module. For technical details on the pressure transmitter, see chapter 'Pressure'!					
<b>Note</b>	<b>Not suitable for ammonia and freon!</b>				

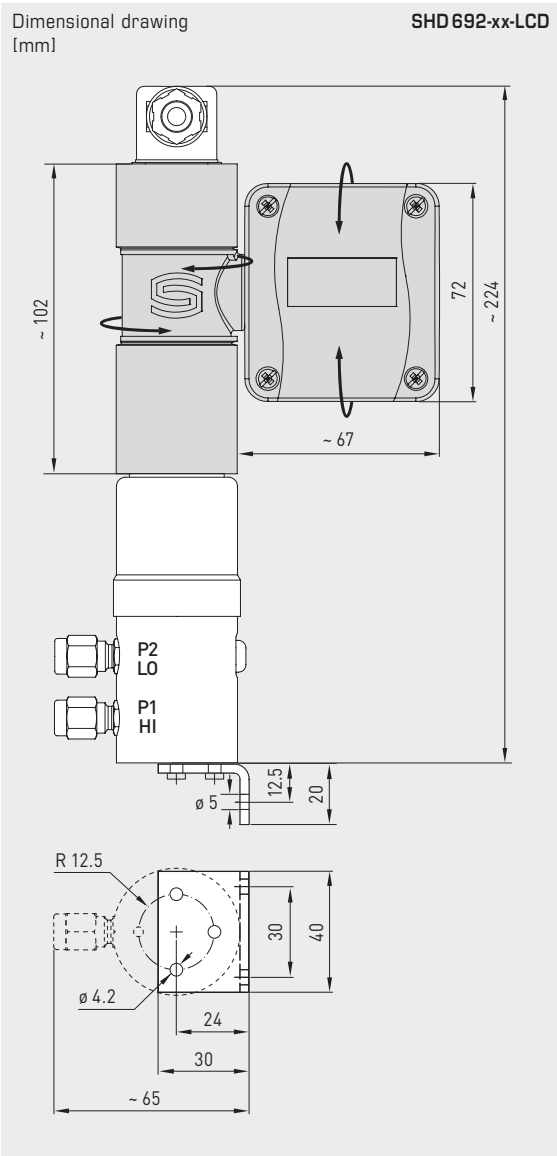


NEW

S+S REGELTECHNIK

PREMASGARD® SHD 692-Modbus

Pressure measuring transducer, incl. DIN connector and mounting bracket, with display module for active output (0-10 V) to Modbus (RTU)



SHD 692-xx-LCD  
Pressure transmitter  
with display module



PREMASGARD® SHD 692-Modbus Pressure measuring transducer for gaseous and liquid media, for active output (0-10 V) to Modbus (RTU)

Measuring range	One-sided max. pressure	Type / WG02	Output	Display	Item no. (SHD+Display)	Price
<b>SHD 692-Modbus</b>					Modbus variant	
0...0,1 bar	0,6 bar	SHD 692-Modbus-900-LCD	Modbus RTU	■	1301-4224-5500-201	611,92 €
0...0,5 bar	3 bar	SHD 692-Modbus-907-LCD	Modbus RTU	■	1301-4224-5510-201	611,92 €
0... 1 bar	5 bar	SHD 692-Modbus-912-LCD	Modbus RTU	■	1301-4224-5520-201	611,92 €
0...2,5 bar	12 bar	SHD 692-Modbus-916-LCD	Modbus RTU	■	1301-4224-5530-201	611,92 €
0... 4 bar	12 bar	SHD 692-Modbus-918-LCD	Modbus RTU	■	1301-4224-5540-201	611,92 €
0... 6 bar	12 bar	SHD 692-Modbus-919-LCD	Modbus RTU	■	1301-4224-5550-201	611,92 €
0... 10 bar	20 bar	SHD 692-Modbus-930-LCD	Modbus RTU	■	1301-4224-5560-201	611,92 €

The display module converts the standard 0-10 V signal into a Modbus signal. The SHD-U device version is supplied with an LCD-SHD-Modbus display module. For technical details on the pressure transmitter, see chapter 'Pressure'!

Note Not suitable for ammonia and freon!