

Duct hygrostats and humidity and temperature sensors ($\pm 2.0\%$), incl. mounting flange, electronic, two-step, with multi-range switching and continuous/switching output

Electronic duct hygrostat and/or duct thermostat **HYGRASREG® KHT-30** with a continuous and two switching outputs, adjustable switching thresholds and display for indicating ACTUAL humidity and/or ACTUAL temperature (accuracy class $\pm 2.0\%$ RH). The setpoints can be allocated to the relative humidity and/or to the temperature.

It is suitable for regulating and monitoring relative humidity (humidifying and dehumidifying) and/or the temperature (heating and cooling), e.g. in ventilation and air conditioning ducts, laboratories, production facilities, climatic test cabinets, indoor swimming pools, greenhouses, etc., to control humidifying and dehumidifying equipment or heating system control. The measuring transducers are designed for exact humidity/temperature measurement. The KHT-30 uses a digital, long-term stable sensor as a measuring element. It is used in dust-free, unpolluted, non-aggressive air.

TECHNICAL DATA

Power supply:	24 V AC / DC ($\pm 20\%$)
Power consumption:	< 1,5 VA / 24 V DC, < 3,5 VA / 24 V AC
Sensor:	digital humidity sensor with integrated temperature sensor , low hysteresis, high long-term stability
Sensor protection:	plastic sinter filter , \varnothing 16 mm, L = 35 mm, exchangeable (optional metal sinter filter , \varnothing 16 mm, L = 32 mm)
Setting range:	5...95% RH (humidity) Multi-range switching with 4 switchable measuring ranges (see table) -35...+35 °C; -35...+75 °C; 0...+50 °C; 0...+80 °C (temperature) (Switch steps 1 and 2 are separately adjustable)
Operating difference:	Mode 1: both switch steps are freely adjustable (rel. humidity) Mode 2: 5% between both switch steps (rel. humidity) Mode 3: both switch steps freely adjustable (temperature) Mode 4: switch step 1 (temperature), switch step 2 (rel. humidity) (adjustable via DIP switches)
Output:	potential-free changeover contacts (2x changeover contact 24 V, 1A ohmic load, separately adjustable, 2x 0-10V for U variant or 4...20mA for I variant)
Accuracy, humidity:	typically $\pm 2.0\%$ (20...80% RH) at +25 °C, otherwise $\pm 3.0\%$
Accuracy, temperature:	typically ± 0.2 K at +25 °C
Ambient temperature:	storage -35...+85 °C; operation -30...+75 °C, non-precipitating
Long-term stability:	$\pm 1\%$ per year
Housing:	plastic, UV-resistant, material polyamide, 30% glass-globe reinforced, with quick-locking screws (slotted/Phillips head combination), colour traffic white (similar to RAL 9016), housing cover for display is transparent!
Housing dimensions:	126 x 90 x 50 mm (Tyr2)
Cable connection:	cable gland , plastic (M 16 x 1.5; with strain relief, exchangeable, max. inner diameter 10.4 mm) or M12 connector according to DIN EN 61076-2-101 (optional on request)
Protective tube:	PLEUROFORM™ , material polyamide (PA6), with torsion protection, \varnothing 20 mm, NL = 235 mm (optionally 100 mm), $v_{max} = 30$ m/s (air) (optional available on request stainless steel V2A (1.4301), \varnothing 16 mm)
Protection class:	III (according to EN 60 730)
Protection type:	IP 65 (according to EN 60 529)
Electrical connection:	0.14 - 1.5 mm ² , via terminal screws
Standards:	CE conformity according to EMC directive 2014/30/EU
Display:	three-line display with illumination , cutout approx. 70 x 40 mm (W x H), for displaying ACTUAL humidity and/or ACTUAL temperature or for setpoint adjustment

FUNCTION

Humidifying/heating:	1st step: wire contacts 11 - 12. If actual humidity falls more than 3% RH/1 K (hysteresis) below switching threshold S1, the changeover contact switches to 11 - 12. 2nd step: wire contacts 21 - 22. If actual humidity falls more than 3% RH/1 K (hysteresis) below switching threshold S2, the changeover contact switches to 21 - 22. Terminal 2: output relative humidity / terminal 3: output temperature
Dehumidifying/cooling:	1st step: wire contacts 11 - 13. When actual humidity exceeds switching threshold S1, the changeover contact switches to 11 - 13. 2nd step: wire contacts 21 - 23. When actual humidity exceeds switching threshold S2, the changeover contact switches to 21 - 23. Terminal 2: output relative humidity / terminal 3: output temperature



Duct hygrostats and humidity and temperature sensors ($\pm 2.0\%$), incl. mounting flange, electronic, two-step, with multi-range switching and continuous/switching output



Dimensional drawing (mm) KHT-30

SF-K
plastic sinter filter (standard)

SF-M
metal sinter filter (optional)

M12 connector
(optional on request)

KHT-30
with display and plastic sinter filter (standard)



KHT-30
with display and metal sinter filter (optional)



Dimensional drawing (mm) MFT-20-K

MFT-20-K
Mounting flange, plastic



Display readout

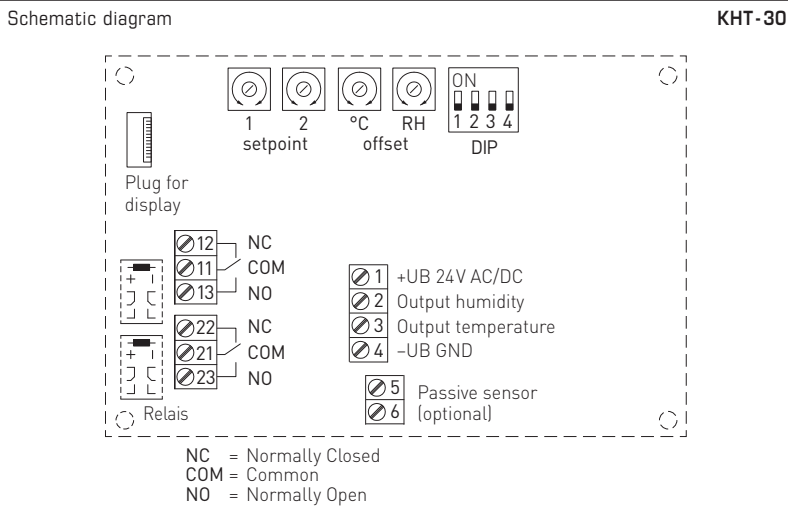
The **1st line** of the display shows the **ACTUAL humidity** in % RH and the **ACTUAL temperature** in °C. The displays showing the ACTUAL values alternate in a 3-second rhythm. The resolution is 1/10 % RH or 1/10 °C.

The **3rd line** shows information about the **switching status of relay 1 and 2** (as circuits) on the left, and on the right for the **switching values of relay 1 and 2** in % RH or °C (adjustable via the corresponding set potentiometer). The reference to respective measured value (relative humidity or temperature) is determined by the mode selected.

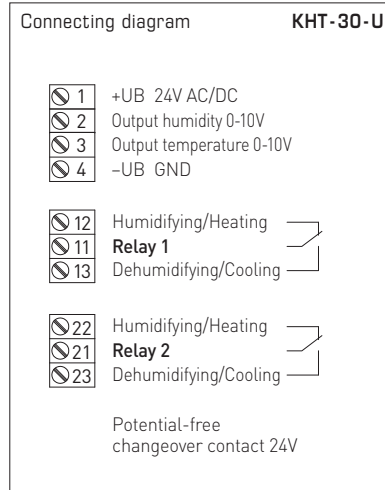
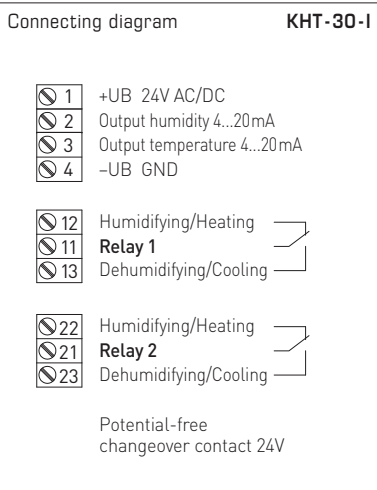
For improved legibility, backlighting is provided.



Duct hygromats and humidity and temperature sensors ($\pm 2.0\%$), incl. mounting flange, electronic, two-step, with multi-range switching and continuous/switching output



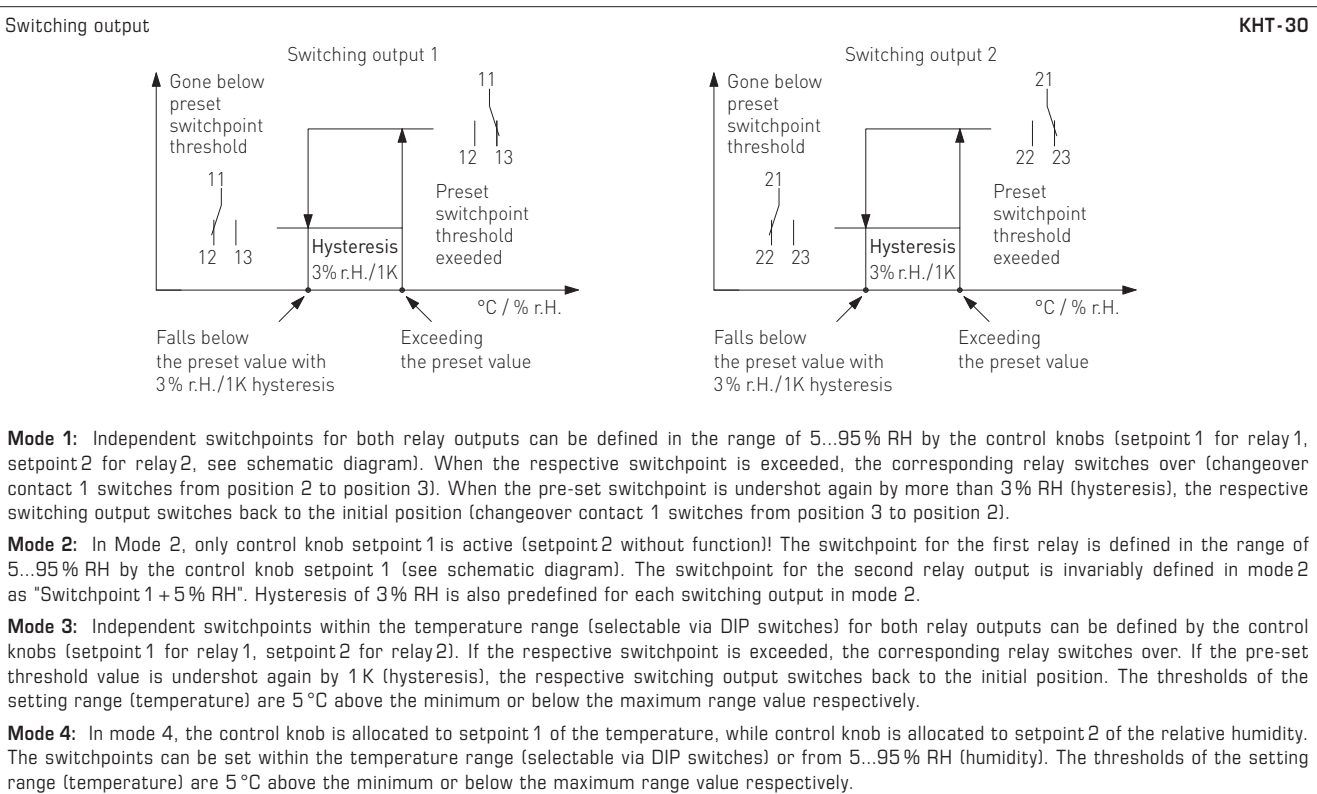
DIP switches		KHT-30	
Function mode	DIP 1	DIP 2	
Mode 1 (2x 5...95% RH) (default)	OFF	OFF	
Mode 2 (5...95% RH + 5% RH)	ON	OFF	
Mode 3 (2x -35...+80 °C)	OFF	ON	
Mode 4 (5...95% RH / -35...+80 °C)	ON	ON	
Temperature range	DIP 3	DIP 4	
-35...+35 °C	OFF	OFF	
0...+80 °C	ON	OFF	
0...+50 °C (default)	OFF	ON	
-35...+75 °C	ON	ON	



Supply	AC	DC
→ 1	24 V~	24 V DC
→ 4	0V	GND

12 (A1) →	Relay 1 Breaker contact
11 (W1) →	Relay 1 Changeover contact
13 (B1) →	Relay 1 Normally open contact

22 (A2) →	Relay 2 Breaker contact
21 (W2) →	Relay 2 Changeover contact
23 (B2) →	Relay 2 Normally open contact





S+S REGELTECHNIK

HYGRASREG® KHT - 30

Duct hygromats and humidity and temperature sensors ($\pm 2.0\%$), incl. mounting flange, electronic, two-step, with multi-range switching and continuous/switching output



KHT-30 with display

Temperature table
MR: -35...+75 °C

°C	U _A [V]	I _A [mA]
-35	0.0	4.0
-30	0.5	4.7
-25	0.9	5.5
-20	1.4	6.2
-15	1.8	6.9
-10	2.3	7.6
-5	2.7	8.4
0	3.2	9.1
5	3.6	9.8
10	4.1	10.5
15	4.5	11.3
20	5.0	12.0
25	5.5	12.7
30	5.9	13.5
35	6.4	14.2
40	6.8	14.9
45	7.3	15.6
50	7.7	16.4
55	8.2	17.1
60	8.6	17.8
65	9.1	18.5
70	9.5	19.2
75	10.0	20.0

Temperature table
MR: -35...+35 °C

°C	U _A [V]	I _A [mA]
-35	0.0	4.0
-30	0.7	5.1
-25	1.4	6.3
-20	2.1	7.4
-15	2.9	8.6
-10	3.6	9.7
-5	4.3	10.9
0	5.0	12.0
5	5.7	13.1
10	6.4	14.3
15	7.1	15.4
20	7.9	16.6
25	8.6	17.7
30	9.3	18.9
35	10.0	20.0

Temperature table
MR: 0...+50 °C

°C	U _A [V]	I _A [mA]
0	0.0	4.0
5	1.0	5.6
10	2.0	7.2
15	3.0	8.8
20	4.0	10.4
25	5.0	12.0
30	6.0	13.6
35	7.0	15.2
40	8.0	16.8
45	9.0	18.4
50	10.0	20.0

Temperature table
MR: 0...+80 °C

°C	U _A [V]	I _A [mA]
0	0.0	4.0
5	0.6	5.0
10	1.3	6.0
15	1.9	7.0
20	2.5	8.0
25	3.1	9.0
30	3.8	10.0
35	4.4	11.0
40	5.0	12.0
45	5.6	13.0
50	6.3	14.0
55	6.9	15.0
60	7.5	16.0
65	8.1	17.0
70	8.8	18.0
75	9.4	19.0
80	10.0	20.0

Humidity table
MR: 0...100 % RH

% RH	U _A [V]	I _A [mA]
0	0.0	4.0
5	0.5	4.8
10	1.0	5.6
15	1.5	6.4
20	2.0	7.2
25	2.5	8.0
30	3.0	8.8
35	3.5	9.6
40	4.0	10.4
45	4.5	11.2
50	5.0	12.0
55	5.5	12.8
60	6.0	13.6
65	6.5	14.4
70	7.0	15.2
75	7.5	16.0
80	8.0	16.8
85	8.5	17.6
90	9.0	18.4
95	9.5	19.2
100	10.0	20.0

HYGRASREG® KHT - 30 Duct hygromat and humidity and temperature sensor ($\pm 2.0\%$), <i>Deluxe</i>						
Type / WG02	Setting Range		Output	Steps	Display	Item No. Price
	Humidity	Temperature				
KHT-30-I I-variant						
KHT-30W-I LCD	5...95 % RH	-35...+75 °C -35...+35 °C 0...+50 °C 0...+80 °C	2 x changeover contact, 2x 4...20 mA	two-step	■	1202-8127-2421-000 252,61 €
KHT-30-U U-variant						
KHT-30W-U LCD	5...95 % RH	-35...+75 °C -35...+35 °C 0...+50 °C 0...+80 °C	2 x changeover contact, 2x 0-10 V	two-step	■	1202-8127-1421-000 252,61 €
Optional:	Cable connection with M12 connector according to DIN EN 61076-2-101 shortened protective tube PLEUROFORM™ , NL = 100 mm					on request on request
ACCESSORIES						
SF-M	Metal sinter filter , Ø 16 mm, L = 32 mm, exchangeable, stainless steel V4A (1.4404)					7000-0050-2200-100 45,34 €