

Communication adapter incl. software MODKON RTU,
with USB and RS485 interface,
for system connection of S+S Modbus sensors

KA2-Modbus

Communication adapter **MODKON® KA2-Modbus T3** with USB and RS485 interface, in an impact-resistant plastic housing with quick-locking screws, incl. software.

The communication adapter serves as connecting element between an S+S Modbus sensor and a PC (Windows). A standard USB port enables quick and straightforward connection to the system; there is no need for an additional power supply.

When used in combination with the S+S software **MODKON RTU** (included in delivery), it offers a very convenient way to test the response behaviour of the sensor.

The Auto Scan function of the software automatically detects the device type, the device address and the set bus parameters. In this way, communication with the connected S+S Modbus sensor is possible without the need for additional settings. The ideal first step to gain experience with Modbus technology.

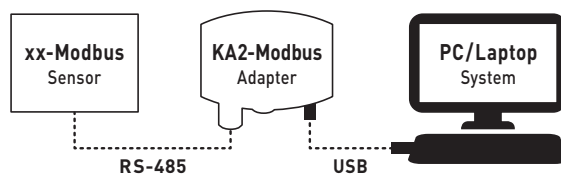


TECHNICAL DATA

Power supply:	takes place via USB connection
Output:	voltage: 15 V; current: 100 mA
Interfaces:	Standard USB port for system connection, power supply RS485 interface for connection of an S+S Modbus sensor
Compatibility:	S+S Modbus sensors for the device classes THERMASGARD® , HYGRASGARD® , PREMASGARD® , AERASGARD®
Housing:	plastic, UV-resistant, polyamide material, 30 % glass-globe reinforced, with quick-locking screws (slotted / Phillips head combination), colour traffic white (similar to RAL 9016)
Housing dimensions:	108 x 78.5 x 45.8 mm (Tyr 3)
Cable connection:	cable gland, plastic (M 20 x 1.5); with strain relief, exchangeable, inner diameter 8 - 13 mm
Electrical connection:	0.2 - 1.5 mm ² , using push-in terminals
Ambient temperature:	-30...+70 °C
Permitted humidity:	< 95 % RH, non-precipitating air
Protection class:	III (according to EN 60 730)
Protection type:	IP54 (according to EN 60 529) housing only!
Standards:	CE conformity according to EMC Directive 2014 / 30 / EU

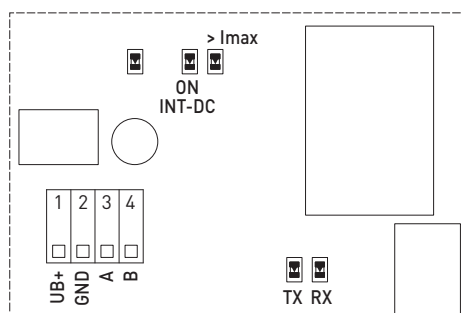
Mounting diagram

KA2-Modbus



Connecting diagram

KA2-Modbus

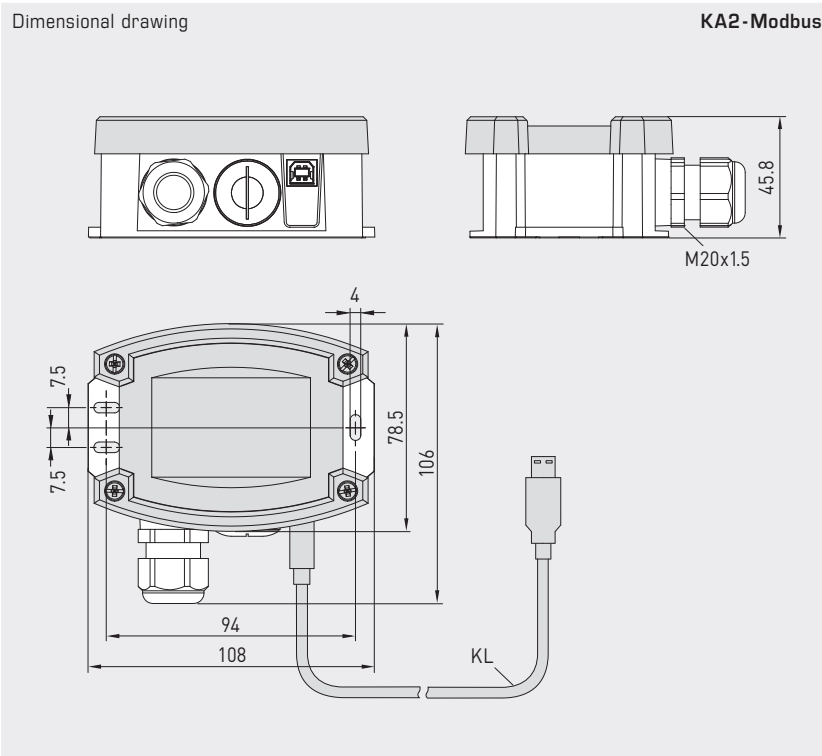


- Push-in terminal**
- +UB** Output supply for S+S Modbus sensor
- GND** approx. 15V (max. 100mA) with supply via USB
- A/B** RS485 Modbus
- Status LEDs**
- >Imax** Electronic fuse approx. 150mA
- INT-DC** Internal supply (USB)
- TX** Transmit telegrams
- RX** Receive telegrams



S+S REGELTECHNIK

Communication adapter incl. software MODKON RTU,
with USB and RS485 interface,
for system connection of S+S Modbus sensors



KA2-Modbus

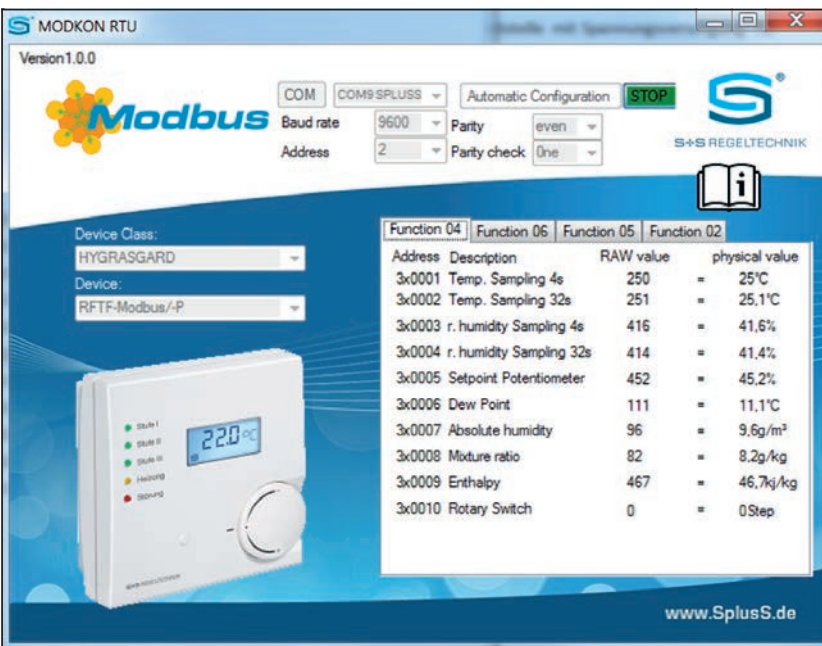


Fig. shows the input screen of the S+S software MODKON RTU (included in the scope of delivery) based on the example of the S+S Modbus sensor HYGRASGARD® RFTF-Modbus

MODKON® KA2-Modbus Communication adapter incl. software				
Type / WG01	Interfaces	Software	Item No.	Price
KA2-Modbus	USB + RS485	MODKON RTU	1906-1200-0000-100	229,23 €

Note: You can find information on how to operate the software on the USB stick included or in the online shop.