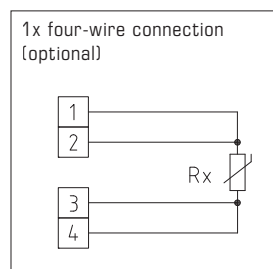
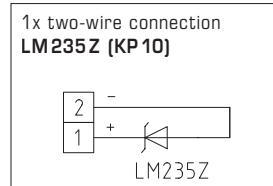
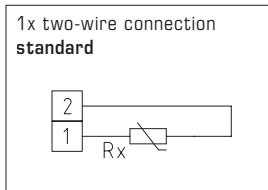


Sleeve sensor / cable temperature sensor
duct / immersion / screw-in temperature sensor,
with passive output

The sleeve sensor / cable sensor **THERMASGARD® HTF** is used to measure temperatures in liquid and gaseous media. It can be used as a duct sensor and - if installed in an immersion sleeve - as an immersion and screw-in sensor. The sleeve length varies, depending on request, from 30..400 mm (standard is 50 mm respectively 200 mm), the cable length is arbitrary (standard is 1.5 m). Depending on application, with silicone, glass fibre, or PVC leads, for two-wire or four-wire connection. For direct, continuous use in liquids, please use our **THE** immersion sleeves (see type table).

TECHNICAL DATA

| | |
|------------------------|---|
| Measuring ranges: | -35...+105 °C PVC , LiYY, 2 x 0.25 mm ² -50...+180 °C Silicone , SiHF, 2 x 0.25 mm ² -50...+250 °C PTFE , 2 x 1.0 mm ² -50...+350 °C glass fibre , 2 x 0.25 mm ² ends stripped with wire end sleeves (extended measuring range limits optional, depending on connection leads, T_{max} Ni1000 = +180 °C, T_{max} NTC / Ni1000 TK5000 = +150 °C, T_{max} LM235Z = +125 °C) |
| Sensors / output: | see table, passive (optional also with 2 sensors) (Perfect Sensor Protection with IP68) |
| Connection type: | 2-wire connection (4-wire connection optional) |
| Testing current: | < 0.6 mA (Pt1000) < 1.0 mA (Pt100) < 0.3 mA (Ni1000, Ni1000 TK5000) < 2.0 mW (NTC xx) 400 µA...5 mA (LM235Z) |
| Protective tube | sensor sleeve made of stainless steel, V4A (1.4571), Ø = 6 mm HTF50 nominal length (NL) = 50 mm HTF200 nominal length (NL) = 200 mm (other optional dimensions also available, nominal length (NL) = 30...400 mm) |
| Connection cable: | cable length (KL) = 1.5 m (optional also 3 m, 5 m, 8 m, 10 m) |
| Insulating resistance: | ≥ 100 MΩ, at +20 °C (500 V DC) |
| Process connection: | using immersion sleeves THE (see table) or mounting flange, plastic (see table) (optionally in galvanised steel, see chapter Accessories) |
| Permitted humidity: | < 95 % RH, non-precipitating air |
| Protection class: | III (according to EN 60 730) |
| Protection type: | IP65 (according to EN 60 529) sleeve humidity-tight (standard) IP68 (according to EN 60 529) sleeve water-tight (optional) IP54 (according to EN 60 529) with glass fibre cable (optional) |
| ACCESSORIES | |
| MF-06-K | Mounting flange , plastic, 56.8 x 84.3 mm, Ø = 6.2 mm tube gland, T _{max} = +100 °C (is not included in scope of delivery) |
| THE-ms/xx | Immersion sleeve, brass, nickel-plated / galvanised , Ø = 9 mm, inserted length (EL) = 50 - 250 mm (see table), inner diameter of socket Ø = 5.2 mm, with adjusting screw M12 x 1.5 T _{max} = +130 °C, p _{max} = 16 bar |
| THE-VA/xx | Immersion sleeve, stainless steel, V4A (1.4571), Ø = 9 mm, inserted length (EL) = 50 - 400 mm (see table), inner diameter of socket Ø = 5.2 mm, with adjusting screw M12 x 1.5 T _{max} = +200 °C, p _{max} = 40 bar |



IP65 (standard)
 humidity-tight



IP68 (optional)
 water-tight
Perfect Sensor Protection



IP54 (optional)
 with **glass fibre** cable

MF-06-K
 Mounting flange,
 plastic
 (optional)



High-performance encapsulation against
 vibration, mechanical stress and humidity

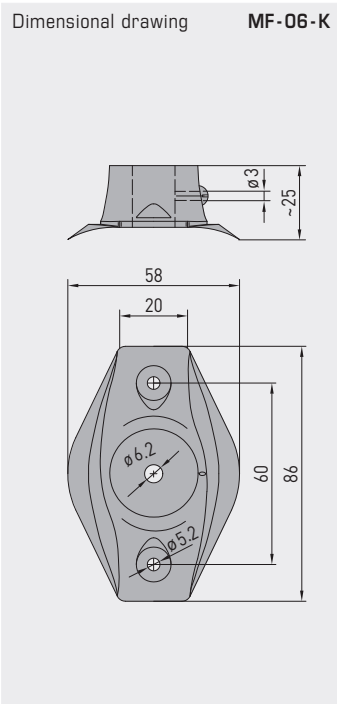




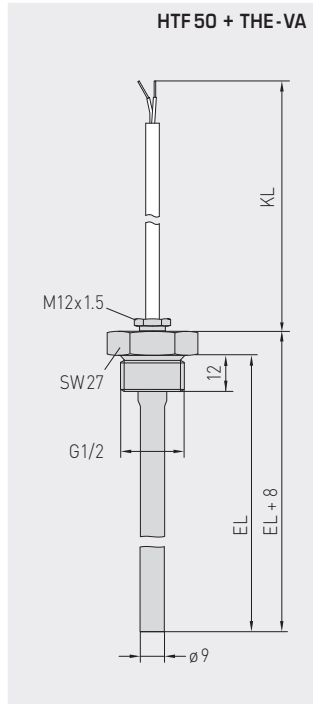
S+S REGELTECHNIK

THERMASGARD® HTF 50
THERMASGARD® HTF 200

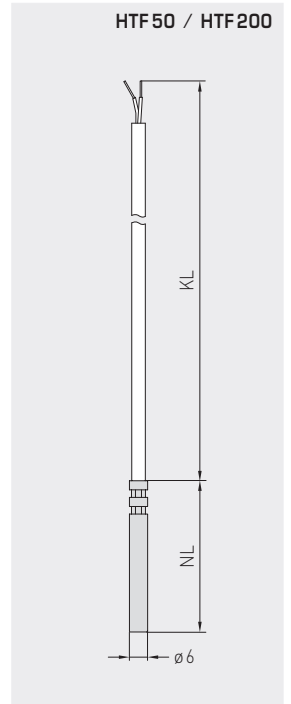
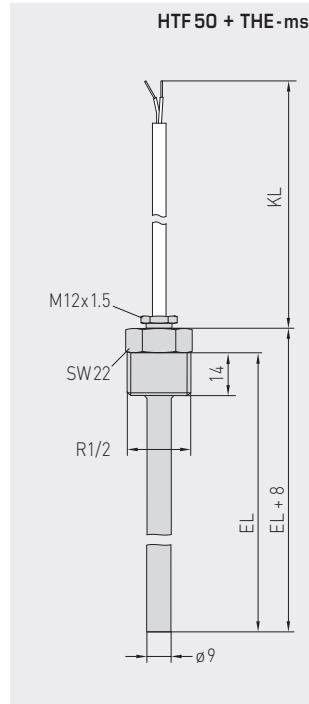
Sleeve sensor / cable temperature sensor
duct / immersion / screw-in temperature sensor,
with passive output



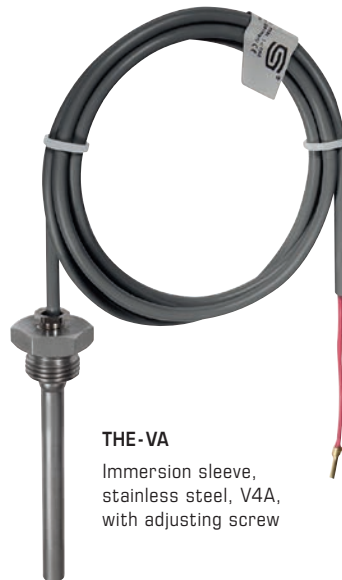
HTF200 + MF-06-K
with accessory mounting flange
(see type table)
as duct temperature sensor



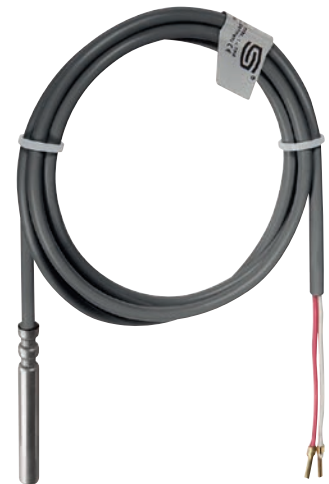
HTF50 + THE-xx
with accessory immersion sleeve
(see type table)
as immersion / screw-in temperature sensor



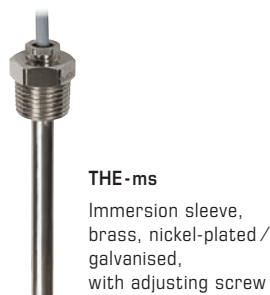
HTF50
with PVC / silicone cable
(standard)



THE-VA
Immersion sleeve,
stainless steel, V4A,
with adjusting screw



HTF50
with glass fibre cable



THE-ms
Immersion sleeve,
brass, nickel-plated /
galvanised,
with adjusting screw



Sleeve sensor / cable temperature sensor
 duct / immersion / screw-in temperature sensor,
 with passive output

THERMASGARD® HTF 50 sleeve sensor / cable temperature sensor (NL = 50 mm)

| Type / WG03 | Cable material | Cable length | Measuring Range | Protection class | Item No. Sensor | Price |
|----------------------------|----------------|--------------|-----------------|------------------|-------------------------------|---------|
| HTF50 PT100 | | | | | Pt 100, class B | |
| HTF50 Pt100 PVC 1,5M | PVC | 1.5 m | -35...+105 °C | IP65 * | 1101-6030-1211-110 | 14,66 € |
| HTF50 Pt100 Silikon 1,5M | Silicone | 1.5 m | -50...+180 °C | IP65 * | 1101-6030-1211-120 | 18,43 € |
| HTF50 Pt100 PTFE 1,5M | PTFE | 1.5 m | -50...+250 °C | IP65 * | 1101-6030-1211-140 | 61,84 € |
| HTF50 Pt100 | Glass Fibre | 1.5 m | -50...+350 °C | IP54 | 1101-6030-1211-050 | 51,36 € |
| HTF50 Pt100 PVC 3M | PVC | 3 m | -35...+105 °C | IP65 * | 1101-6030-1231-110 | 17,75 € |
| HTF50 Pt100 Silikon 3M | Silicone | 3 m | -50...+180 °C | IP65 * | 1101-6030-1231-120 | 22,97 € |
| HTF50 Pt100 PVC 5M | PVC | 5 m | -35...+105 °C | IP65 * | 1101-6030-1251-110 | 21,84 € |
| HTF50 Pt100 Silikon 5M | Silicone | 5 m | -50...+180 °C | IP65 * | 1101-6030-1251-120 | 29,06 € |
| HTF50 Pt100 PVC 8M | PVC | 8 m | -35...+105 °C | IP65 * | 1101-6030-1281-110 | 28,01 € |
| HTF50 Pt100 Silikon 8M | Silicone | 8 m | -50...+180 °C | IP65 * | 1101-6030-1281-120 | 38,21 € |
| HTF50 Pt100 PVC 10M | PVC | 10 m | -35...+105 °C | IP65 * | 1101-6030-1301-110 | 32,10 € |
| HTF50 Pt100 Silikon 10M | Silicone | 10 m | -50...+180 °C | IP65 * | 1101-6030-1301-120 | 44,31 € |
| HTF50 PT1000 | | | | | Pt 1000, class B | |
| HTF50 Pt1000 PVC 1,5M | PVC | 1.5 m | -35...+105 °C | IP65 * | 1101-6030-5211-110 | 17,26 € |
| HTF50 Pt1000 Silikon 1,5M | Silicone | 1.5 m | -50...+180 °C | IP65 * | 1101-6030-5211-120 | 21,21 € |
| HTF50 Pt1000 PTFE 1,5M | PTFE | 1.5 m | -50...+250 °C | IP65 * | 1101-6030-5211-140 | 61,99 € |
| HTF50 Pt1000 | Glass Fibre | 1.5 m | -50...+350 °C | IP54 | 1101-6030-5211-050 | 52,40 € |
| HTF50 Pt1000 PVC 3M | PVC | 3 m | -35...+105 °C | IP65 * | 1101-6030-5231-110 | 20,34 € |
| HTF50 Pt1000 Silikon 3M | Silicone | 3 m | -50...+180 °C | IP65 * | 1101-6030-5231-120 | 25,79 € |
| HTF50 Pt1000 PVC 5M | PVC | 5 m | -35...+105 °C | IP65 * | 1101-6030-5251-110 | 24,44 € |
| HTF50 Pt1000 Silikon 5M | Silicone | 5 m | -50...+180 °C | IP65 * | 1101-6030-5251-120 | 31,88 € |
| HTF50 Pt1000 PVC 8M | PVC | 8 m | -35...+105 °C | IP65 * | 1101-6030-5281-110 | 30,61 € |
| HTF50 Pt1000 Silikon 8M | Silicone | 8 m | -50...+180 °C | IP65 * | 1101-6030-5281-120 | 41,01 € |
| HTF50 Pt1000 PVC 10M | PVC | 10 m | -35...+105 °C | IP65 * | 1101-6030-5301-110 | 34,70 € |
| HTF50 Pt1000 Silikon 10M | Silicone | 10 m | -50...+180 °C | IP65 * | 1101-6030-5301-120 | 47,09 € |
| HTF50 PT1000 A | | | | | Pt 1000 A, class A-TGA | |
| HTF50 Pt1000A PVC 1,5M | PVC | 1.5 m | -35...+105 °C | IP65 * | 1101-6030-6211-110 | 25,32 € |
| HTF50 Pt1000A Silikon 1,5M | Silicone | 1.5 m | -50...+180 °C | IP65 * | 1101-6030-6211-120 | 29,08 € |
| HTF50 Ni1000 | | | | | Ni 1000 | |
| HTF50 Ni1000 PVC 1,5M | PVC | 1.5 m | -35...+105 °C | IP65 * | 1101-6030-9211-110 | 16,78 € |
| HTF50 Ni1000 Silikon 1,5M | Silicone | 1.5 m | -50...+180 °C | IP65 * | 1101-6030-9211-120 | 20,89 € |
| HTF50 Ni1000 PVC 3M | PVC | 3 m | -35...+105 °C | IP65 * | 1101-6030-9231-110 | 19,86 € |
| HTF50 Ni1000 Silikon 3M | Silicone | 3 m | -50...+180 °C | IP65 * | 1101-6030-9231-120 | 25,44 € |
| HTF50 Ni1000 PVC 5M | PVC | 5 m | -35...+105 °C | IP65 * | 1101-6030-9251-110 | 23,97 € |
| HTF50 Ni1000 Silikon 5M | Silicone | 5 m | -50...+180 °C | IP65 * | 1101-6030-9251-120 | 31,52 € |
| HTF50 Ni1000 PVC 8M | PVC | 8 m | -35...+105 °C | IP65 * | 1101-6030-9281-110 | 30,12 € |
| HTF50 Ni1000 Silikon 8M | Silicone | 8 m | -50...+180 °C | IP65 * | 1101-6030-9281-120 | 40,67 € |
| HTF50 Ni1000 PVC 10M | PVC | 10 m | -35...+105 °C | IP65 * | 1101-6030-9301-110 | 34,22 € |
| HTF50 Ni1000 Silikon 10M | Silicone | 10 m | -50...+180 °C | IP65 * | 1101-6030-9301-120 | 46,76 € |
| HTF50 NiTK | | | | | Ni 1000 TK 5000 | |
| HTF50 NiTK PVC 1,5M | PVC | 1.5 m | -35...+105 °C | IP65 * | 1101-6031-0211-110 | 21,14 € |
| HTF50 NiTK Silikon 1,5M | Silicone | 1.5 m | -50...+150 °C | IP65 * | 1101-6031-0211-120 | 24,95 € |
| HTF50 NiTK PVC 3M | PVC | 3 m | -35...+105 °C | IP65 * | 1101-6031-0231-110 | 24,24 € |
| HTF50 NiTK Silikon 3M | Silicone | 3 m | -50...+150 °C | IP65 * | 1101-6031-0231-120 | 29,53 € |
| HTF50 NiTK PVC 5M | PVC | 5 m | -35...+105 °C | IP65 * | 1101-6031-0251-110 | 28,34 € |
| HTF50 NiTK Silikon 5M | Silicone | 5 m | -50...+150 °C | IP65 * | 1101-6031-0251-120 | 35,60 € |
| HTF50 NiTK PVC 8M | PVC | 8 m | -35...+105 °C | IP65 * | 1101-6031-0281-110 | 34,50 € |
| HTF50 NiTK Silikon 8M | Silicone | 8 m | -50...+150 °C | IP65 * | 1101-6031-0281-120 | 44,75 € |
| HTF50 NiTK PVC 10M | PVC | 10 m | -35...+105 °C | IP65 * | 1101-6031-0301-110 | 38,59 € |
| HTF50 NiTK Silikon 10M | Silicone | 10 m | -50...+150 °C | IP65 * | 1101-6031-0301-120 | 50,84 € |
| HTF50 LM235Z | | | | | LM235Z | |
| HTF50 LM235Z PVC 1,5M | PVC | 1.5 m | -35...+105 °C | IP65 * | 1101-6032-1211-110 | 15,02 € |
| HTF50 LM235Z Silikon 1,5M | Silicone | 1.5 m | -40...+125 °C | IP65 * | 1101-6032-1211-120 | 19,12 € |
| HTF50 LM235Z PVC 3M | PVC | 3 m | -35...+105 °C | IP65 * | 1101-6032-1231-110 | 18,09 € |
| HTF50 LM235Z Silikon 3M | Silicone | 3 m | -40...+125 °C | IP65 * | 1101-6032-1231-120 | 23,66 € |
| HTF50 LM235Z PVC 5M | PVC | 5 m | -35...+105 °C | IP65 * | 1101-6032-1251-110 | 22,20 € |
| HTF50 LM235Z Silikon 5M | Silicone | 5 m | -40...+125 °C | IP65 * | 1101-6032-1251-120 | 29,74 € |
| HTF50 LM235Z PVC 8M | PVC | 8 m | -35...+105 °C | IP65 * | 1101-6032-1281-110 | 28,35 € |
| HTF50 LM235Z Silikon 8M | Silicone | 8 m | -40...+125 °C | IP65 * | 1101-6032-1281-120 | 38,91 € |
| HTF50 LM235Z PVC 10M | PVC | 10 m | -35...+105 °C | IP65 * | 1101-6032-1301-110 | 32,46 € |
| HTF50 LM235Z Silikon 10M | Silicone | 10 m | -40...+125 °C | IP65 * | 1101-6032-1301-120 | 44,99 € |

Continued on next page ...



| THERMASGARD® HTF 50 sleeve sensor / cable temperature sensor (NL = 50 mm) | | | | | | |
|---|---|--------------|-----------------|------------------|--------------------|--|
| Type / WG03 | Cable material | Cable length | Measuring Range | Protection class | Item No. Sensor | Price |
| HTF50 NTC1.8K | | | | | NTC 1.8K | |
| HTF50 NTC1,8K PVC 1,5M | PVC | 1.5 m | -35...+105 °C | IP65 * | 1101-6031-2211-110 | 14,19 € |
| HTF50 NTC1,8K Silikon 1,5M | Silicone | 1.5 m | -50...+150 °C | IP65 * | 1101-6031-2211-120 | 16,30 € |
| HTF50 NTC1,8K PVC 3M | PVC | 3 m | -35...+105 °C | IP65 * | 1101-6031-2231-110 | 17,27 € |
| HTF50 NTC1,8K Silikon 3M | Silicone | 3 m | -50...+150 °C | IP65 * | 1101-6031-2231-120 | 20,89 € |
| HTF50 NTC1,8K PVC 5M | PVC | 5 m | -35...+105 °C | IP65 * | 1101-6031-2251-110 | 21,38 € |
| HTF50 NTC1,8K Silikon 5M | Silicone | 5 m | -50...+150 °C | IP65 * | 1101-6031-2251-120 | 26,98 € |
| HTF50 NTC1,8K PVC 8M | PVC | 8 m | -35...+105 °C | IP65 * | 1101-6031-2281-110 | 27,52 € |
| HTF50 NTC1,8K Silikon 8M | Silicone | 8 m | -50...+150 °C | IP65 * | 1101-6031-2281-120 | 36,09 € |
| HTF50 NTC1,8K PVC 10M | PVC | 10 m | -35...+105 °C | IP65 * | 1101-6031-2301-110 | 31,64 € |
| HTF50 NTC1,8K Silikon 10M | Silicone | 10 m | -50...+150 °C | IP65 * | 1101-6031-2301-120 | 42,19 € |
| HTF50 NTC10K | | | | | NTC 10K | |
| HTF50 NTC10K PVC 1,5M | PVC | 1.5 m | -35...+105 °C | IP65 * | 1101-6031-5211-110 | 14,19 € |
| HTF50 NTC10K Silikon 1,5M | Silicone | 1.5 m | -50...+150 °C | IP65 * | 1101-6031-5211-120 | 16,30 € |
| HTF50 NTC10K PVC 3M | PVC | 3 m | -35...+105 °C | IP65 * | 1101-6031-5231-110 | 17,27 € |
| HTF50 NTC10K Silikon 3M | Silicone | 3 m | -50...+150 °C | IP65 * | 1101-6031-5231-120 | 20,89 € |
| HTF50 NTC10K PVC 5M | PVC | 5 m | -35...+105 °C | IP65 * | 1101-6031-5251-110 | 21,38 € |
| HTF50 NTC10K Silikon 5M | Silicone | 5 m | -50...+150 °C | IP65 * | 1101-6031-5251-120 | 26,98 € |
| HTF50 NTC10K PVC 8M | PVC | 8 m | -35...+105 °C | IP65 * | 1101-6031-5281-110 | 27,52 € |
| HTF50 NTC10K Silikon 8M | Silicone | 8 m | -50...+150 °C | IP65 * | 1101-6031-5281-120 | 36,09 € |
| HTF50 NTC10K PVC 10M | PVC | 10 m | -35...+105 °C | IP65 * | 1101-6031-5301-110 | 31,64 € |
| HTF50 NTC10K Silikon 10M | Silicone | 10 m | -50...+150 °C | IP65 * | 1101-6031-5301-120 | 42,19 € |
| HTF50 NTC20K | | | | | NTC 20K | |
| HTF50 NTC20K PVC 1,5M | PVC | 1.5 m | -35...+105 °C | IP65 * | 1101-6031-6211-110 | 14,19 € |
| HTF50 NTC20K Silikon 1,5M | Silicone | 1.5 m | -50...+150 °C | IP65 * | 1101-6031-6211-120 | 16,30 € |
| HTF50 NTC20K PVC 3M | PVC | 3 m | -35...+105 °C | IP65 * | 1101-6031-6231-110 | 17,27 € |
| HTF50 NTC20K Silikon 3M | Silicone | 3 m | -50...+150 °C | IP65 * | 1101-6031-6231-120 | 20,89 € |
| HTF50 NTC20K PVC 5M | PVC | 5 m | -35...+105 °C | IP65 * | 1101-6031-6251-110 | 21,38 € |
| HTF50 NTC20K Silikon 5M | Silicone | 5 m | -50...+150 °C | IP65 * | 1101-6031-6251-120 | 26,98 € |
| HTF50 NTC20K PVC 8M | PVC | 8 m | -35...+105 °C | IP65 * | 1101-6031-6281-110 | 27,52 € |
| HTF50 NTC20K Silikon 8M | Silicone | 8 m | -50...+150 °C | IP65 * | 1101-6031-6281-120 | 36,09 € |
| HTF50 NTC20K PVC 10M | PVC | 10 m | -35...+105 °C | IP65 * | 1101-6031-6301-110 | 31,64 € |
| HTF50 NTC20K Silikon 10M | Silicone | 10 m | -50...+150 °C | IP65 * | 1101-6031-6301-120 | 42,19 € |
| Extra charge: | * Protection type IP68 (Sensor sleeve watertight compound-filled) Other sensors optional Cable length (KL) 3 m, 5 m, 8 m, 10 m (standard lengths) Connection type 4-wire (4-conductor) | | | | | 3,64 € on request on request on request |
| For special orders please specify: (possible for 25 or more pieces) | Type sensor length (NL), sensor, cable material, connection type, cable length (KL), protection type e.g. HTF-30mm, Pt1000, PVC, 2-wire, 10m, IP68; HTF-50mm, Ni1000 TK5000, silicon, 4-wire, 5m, IP65 | | | | | |

HTF 50
(NL = 50 mm)
with PVC / silicone cable

HTF 50
(NL = 50 mm)
with glass fibre cable



IP 65 (standard)
humidity-tight



IP 68 (optional)
water-tight
Perfect Sensor Protection



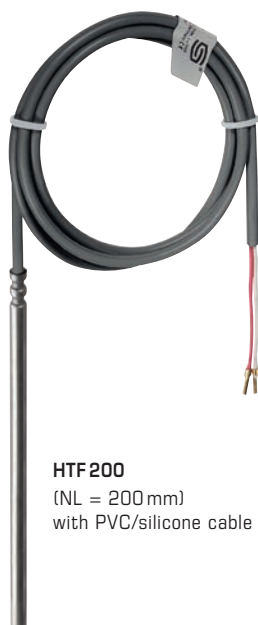
IP 54 (optional)
with glass fibre cable



Sleeve sensor / cable temperature sensor
 duct / immersion / screw-in temperature sensor,
 with passive output

THERMASGARD® HTF 200 sleeve sensor / cable temperature sensor (NL = 200 mm)

| Type / WG03 | Cable material | Cable length | Measuring Range | Protection class | Item No. Sensor | Price |
|---|---|--------------|-----------------|------------------|-------------------------------|--|
| HTF200 PT100 | | | | | Pt 100, class B | |
| HTF200 Pt100 PVC 1,5M | PVC | 1.5 m | -35...+105 °C | IP65 * | 1101-6090-1211-110 | 21,82 € |
| HTF200 Pt100 Silikon 1,5M | Silicone | 1.5 m | -50...+180 °C | IP65 * | 1101-6090-1211-120 | 25,92 € |
| HTF200 PT1000 | | | | | Pt 1000, class B | |
| HTF200 Pt1000 PVC 1,5M | PVC | 1.5 m | -35...+105 °C | IP65 * | 1101-6090-5211-110 | 21,82 € |
| HTF200 Pt1000 Silikon 1,5M | Silicone | 1.5 m | -50...+180 °C | IP65 * | 1101-6090-5211-120 | 25,92 € |
| HTF200 PT1000 A | | | | | Pt 1000 A, class A-TGA | |
| HTF200 Pt1000A PVC 1,5M | PVC | 1.5 m | -35...+105 °C | IP65 * | 1101-6090-6211-110 | 29,69 € |
| HTF200 Pt1000A Silikon 1,5M | Silicone | 1.5 m | -50...+180 °C | IP65 * | 1101-6090-6211-120 | 33,81 € |
| HTF200 Ni1000 | | | | | Ni 1000 | |
| HTF200 Ni1000 PVC 1,5M | PVC | 1.5 m | -35...+105 °C | IP65 * | 1101-6090-9211-110 | 22,24 € |
| HTF200 Ni1000 Silikon 1,5M | Silicone | 1.5 m | -50...+180 °C | IP65 * | 1101-6090-9211-120 | 25,92 € |
| HTF200 NiTK | | | | | Ni 1000 TK 5000 | |
| HTF200 NiTK PVC 1,5M | PVC | 1.5 m | -35...+105 °C | IP65 * | 1101-6091-0211-110 | 23,33 € |
| HTF200 NiTK Silikon 1,5M | Silicone | 1.5 m | -50...+150 °C | IP65 * | 1101-6091-0211-120 | 27,01 € |
| HTF200 LM235Z | | | | | LM 235 Z | |
| HTF200 LM235Z PVC 1,5M | PVC | 1.5 m | -35...+105 °C | IP65 * | 1101-6092-1211-110 | 22,50 € |
| HTF200 LM235Z Silikon 1,5M | Silicone | 1.5 m | -40...+125 °C | IP65 * | 1101-6092-1211-120 | 26,59 € |
| HTF200 NTC1,8K | | | | | NTC 1.8K | |
| HTF200 NTC1,8K PVC 1,5M | PVC | 1.5 m | -35...+105 °C | IP65 * | 1101-6091-2211-110 | 21,82 € |
| HTF200 NTC1,8K Silikon 1,5M | Silicone | 1.5 m | -50...+150 °C | IP65 * | 1101-6091-2211-120 | 25,92 € |
| HTF200 NTC10K | | | | | NTC 10K | |
| HTF200 NTC10K PVC 1,5M | PVC | 1.5 m | -35...+105 °C | IP65 * | 1101-6091-5211-110 | 21,82 € |
| HTF200 NTC10K Silikon 1,5M | Silicone | 1.5 m | -50...+150 °C | IP65 * | 1101-6091-5211-120 | 25,92 € |
| HTF200 NTC20K | | | | | NTC 20K | |
| HTF200 NTC20K PVC 1,5M | PVC | 1.5 m | -35...+105 °C | IP65 * | 1101-6091-6211-110 | 21,82 € |
| HTF200 NTC20K Silikon 1,5M | Silicone | 1.5 m | -50...+150 °C | IP65 * | 1101-6091-6211-120 | 25,92 € |
| Extra charge: | * Protection type IP68 (Sensor sleeve watertight compound-filled) Other sensors optional Cable length (KL) 3 m, 5 m, 8 m, 10 m (standard lengths) Connection type 4-wire (4-conductor) | | | | | 3,64 € on request on request on request |
| For special orders please specify: (possible for 25 or more pieces) | Type sensor length (NL), sensor, cable material, connection type, cable length (KL), protection type e.g. HTF-200 mm, Pt1000, PVC, 2-wire, 10 m, IP68; HTF-400 mm, Ni1000 TK5000, silicon, 4-wire, 5 m, IP65 | | | | | |



HTF 200
 (NL = 200 mm)
 with PVC/silicone cable



IP65 (standard)
 humidity-tight

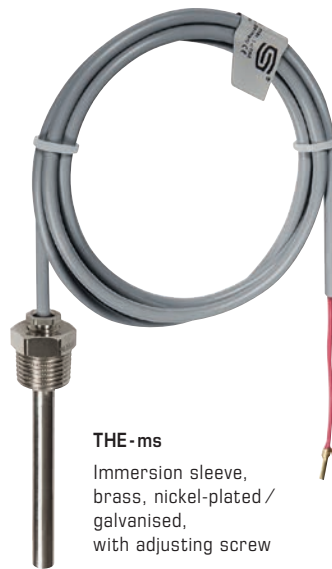


IP68 (optional)
 water-tight
Perfect Sensor Protection

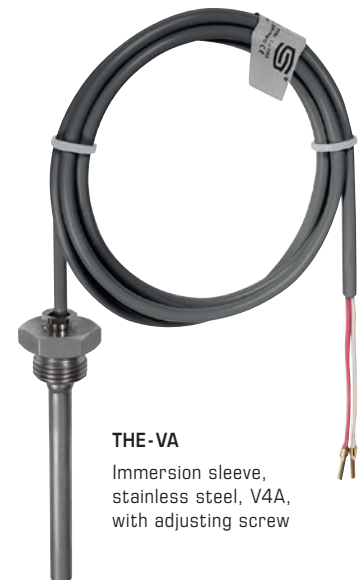


| THERMASGARD® HTF 50 accessory as immersion / screw-in sensor temperature sensor (ESTF) | | | | |
|--|--|-------------|--------------------|---------|
| Type / WG01 | Description | | Item No. | Price |
| THE -ms / xx | | | | |
| | Immersion sleeve, brass, nickel-plated / galvanised, Ø 9 mm, inner diameter of socket Ø = 5.2 mm, with adjusting screw M12 x 1.5 | | | |
| THE-MS 50MM | $p_{max} = 16 \text{ bar}$, $T_{max} = +130 \text{ °C}$ | EL = 50 mm | 7100-0011-6010-002 | 11,20 € |
| THE-MS 100MM | $p_{max} = 16 \text{ bar}$, $T_{max} = +130 \text{ °C}$ | EL = 100 mm | 7100-0011-6020-002 | 12,11 € |
| THE-MS 150MM | $p_{max} = 16 \text{ bar}$, $T_{max} = +130 \text{ °C}$ | EL = 150 mm | 7100-0011-6030-002 | 12,55 € |
| THE-MS 200MM | $p_{max} = 16 \text{ bar}$, $T_{max} = +130 \text{ °C}$ | EL = 200 mm | 7100-0011-6040-002 | 13,44 € |
| THE-MS 250MM | $p_{max} = 16 \text{ bar}$, $T_{max} = +130 \text{ °C}$ | EL = 250 mm | 7100-0011-6050-002 | 15,05 € |
| THE -VA / xx | | | | |
| | Immersion sleeve, stainless steel, V4A (1.4571), Ø 9 mm, inner diameter of socket Ø = 5.2 mm, with adjusting screw M12 x 1.5 | | | |
| THE-VA 50MM | $p_{max} = 40 \text{ bar}$, $T_{max} = +200 \text{ °C}$ | EL = 50 mm | 7100-0012-6010-002 | 22,17 € |
| THE-VA 100MM | $p_{max} = 40 \text{ bar}$, $T_{max} = +200 \text{ °C}$ | EL = 100 mm | 7100-0012-6020-002 | 24,49 € |
| THE-VA 150MM | $p_{max} = 40 \text{ bar}$, $T_{max} = +200 \text{ °C}$ | EL = 150 mm | 7100-0012-6030-002 | 26,30 € |
| THE-VA 200MM | $p_{max} = 40 \text{ bar}$, $T_{max} = +200 \text{ °C}$ | EL = 200 mm | 7100-0012-6040-002 | 27,74 € |
| THE-VA 250MM | $p_{max} = 40 \text{ bar}$, $T_{max} = +200 \text{ °C}$ | EL = 250 mm | 7100-0012-6050-002 | 34,48 € |
| THE-VA 300MM | $p_{max} = 40 \text{ bar}$, $T_{max} = +200 \text{ °C}$ | EL = 300 mm | 7100-0012-6060-002 | 36,02 € |
| THE-VA 400MM | $p_{max} = 40 \text{ bar}$, $T_{max} = +200 \text{ °C}$ | EL = 400 mm | 7100-0012-6080-002 | 37,18 € |
| xx = (EL) | Other installation lengths on request | | | |

HTF 50
(NL = 50 mm)
with THE immersion sleeve
as immersion / screw-in temperature sensor



THE -ms
Immersion sleeve,
brass, nickel-plated /
galvanised,
with adjusting screw



THE -VA
Immersion sleeve,
stainless steel, V4A,
with adjusting screw

MF-06-K
Mounting flange,
plastic
(optional)



| THERMASGARD® HTF 50 accessories (standard) | | | | |
|---|--|-----------|--------------------|--------|
| THERMASGARD® HTF 200 accessories (standard) | | | | |
| Type / WG01 | Description | T_{max} | Item No. | Price |
| MF | | | | |
| MF-06-K | Mounting flange plastic, 56.8 x 84.3 mm, Ø 6.2 mm tube gland (not included in scope of delivery) | +100 °C | 7100-0030-1000-000 | 6,55 € |
| Note: | For further information see last chapter! | | | |